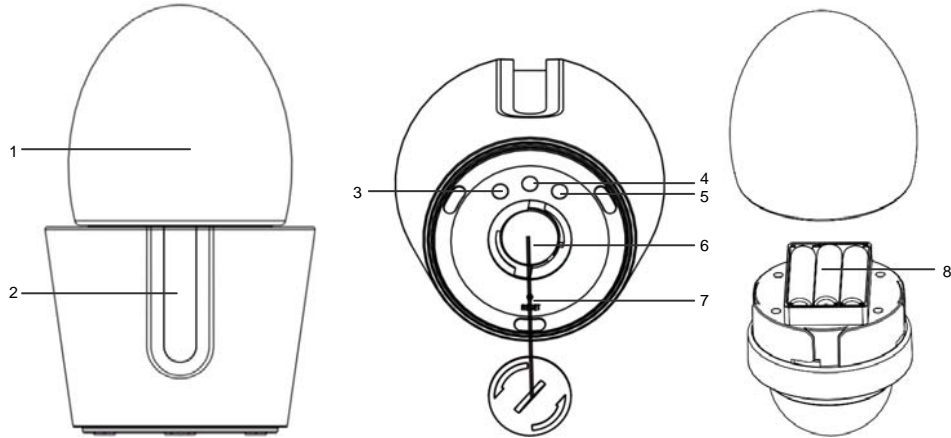



OVERVIEW

FRONT VIEW

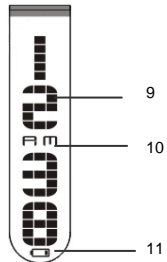
BOTTOM VIEW


INSIDE



1. Massager
2. LCD clock
3. -: Change value of setting
4.  **SET CLOCK** : Enter clock settings
5. -: Change value of setting
6. Battery compartment (CR2032)
7. **RESET**: Reset unit to default settings
8. Battery compartment (3 x AAA)

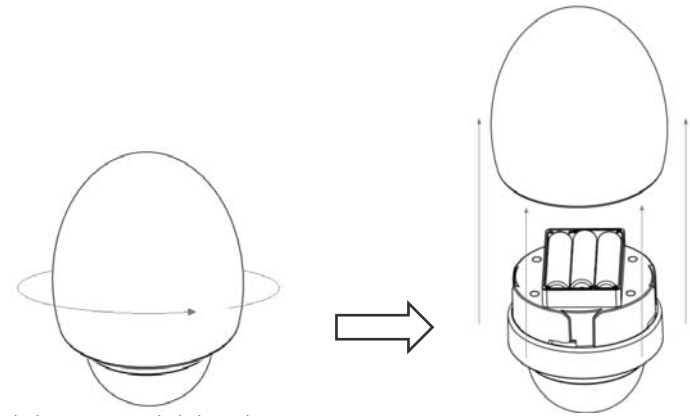
LCD DISPLAY



9. Time
10. AM/PM
11.  Battery low (CR2032)

GETTING STARTED

INSERTING BATTERIES (AAA BATTERIES)



1. Turn the hand grip cover counterclockwise and remove
2. Insert the batteries (3xAAA, not included), matching the polarities.
3. Replace the hand grip cover and turn clockwise to secure in place

INSERTING BATTERIES (CR2032 BATTERY)

1. Turn the battery compartment cover counterclockwise and remove
2. Insert the battery (CR2032, included), matching the polarities(positive side faces outside).
3. Replace the battery compartment cover and turn clockwise to secure in place

SET CLOCK

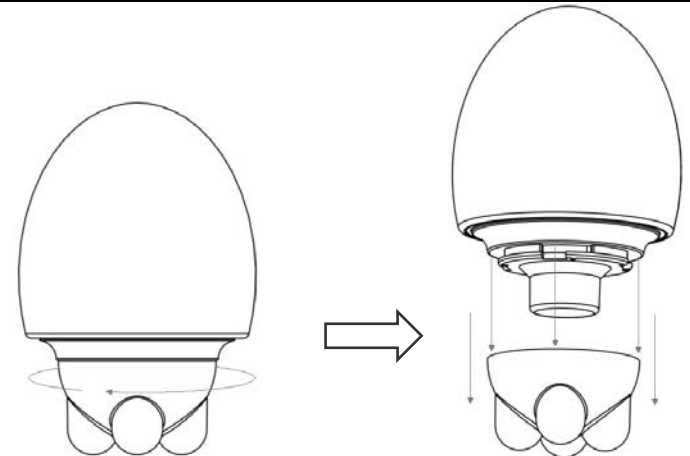
1. Press **SET CLOCK** to enter setting mode.
 2. Press **+** or **-** to change the settings or press and hold **+** / **-** to rapidly change the settings.
 3. Press **SET CLOCK** to confirm and move to next setting.
- The settings order is: 12/24 hr format, time.

MASSAGER

To activate / deactivate massager

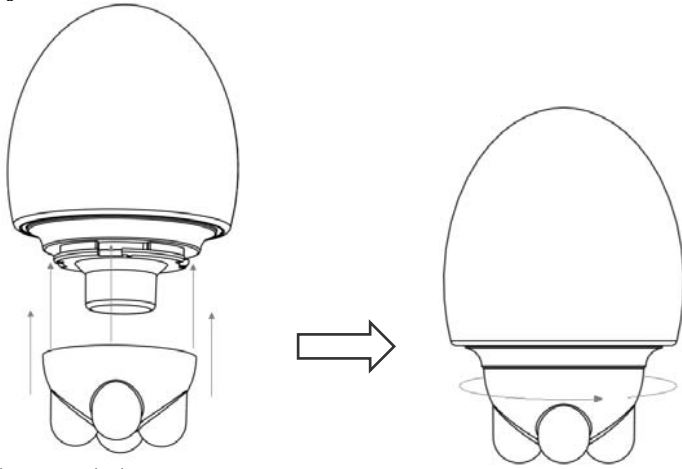
- Press down on top of the massager to activate
- Release to deactivate

CHANGING MASSAGER HEADS



1. Turn the massager head counterclockwise and remove

2. Insert massager head



3. Turn clockwise to secure in place

SPECIFICATIONS

MAIN UNIT

TYPE	DESCRIPTION
H x W x D	146.2 x 90.8 x 90.8 mm (5.76 x 3.57 x 3.57 in)
Weight	320 g (11.29 oz) without battery
Power	3xAAA for massager (not included) 1xCR2032 for clock (included)

PRECAUTIONS

- Do not subject the unit to excessive force, shock, dust, temperature or humidity.
- Do not immerse the unit in water. If you spill liquid over it, dry it immediately with a soft, lint-free cloth.
- Do not clean the unit with abrasive or corrosive materials.
- Do not tamper with the unit's internal components. This invalidates the warranty.
- Only use fresh batteries. Do not mix new and old batteries.
- Images shown in this manual may differ from the actual display.
- When disposing of this product, ensure it is collected separately for special treatment.
- The contents of this manual may not be reproduced without the permission of the manufacturer.
- Do not dispose old batteries as unsorted municipal waste. Collection of such waste separately for special treatment is necessary.

NOTE The technical specifications for this product and the contents of the user manual are subject to change without notice.

ABOUT OREGON SCIENTIFIC

Visit our website (www.oregonscientific.com) to learn more about Oregon Scientific products. If you're in the US and would like to contact our Customer Care department directly, please visit: www2.oregonscientific.com/service/support
OR
Call 1-800-853-8883.

For international inquiries, please visit: www2.oregonscientific.com/about/international

EU-DECLARATION OF CONFORMITY

Hereby, Oregon Scientific, declares that this **Mini Massager** (model: WS901) is in compliance with the essential requirements and other relevant provisions of Directive 1999/5/EC. A copy of the signed and dated Declaration of Conformity is available on request via our Oregon Scientific Customer Service.



FCC STATEMENT

This device complies with Part 15 of the FCC Rules. Operation is subject to the following two conditions: (1) This device may not cause harmful interference, and (2) This device must accept any interference received, including interference that may cause undesired operation.

WARNING Changes or modifications not expressly approved by the party responsible for compliance could void the user's authority to operate the equipment.

NOTE This equipment has been tested and found to comply with the limits for a Class B digital device, pursuant to Part 15 of the FCC Rules. These limits are designed to provide reasonable protection against harmful interference in a residential installation.

This equipment generates, uses and can radiate radio frequency energy and, if not installed and used in accordance with the instructions, may cause harmful interference to radio communications. However, there is no guarantee that interference will not occur in a particular installation. If this equipment does cause harmful interference to radio or television reception, which can be determined by turning the equipment off and on, the user is encouraged to try to correct the interference by one or more of the following measures:

- Reorient or relocate the receiving antenna.
- Increase the separation between the equipment and receiver.
- Connect the equipment into an outlet on a circuit different from that to which the receiver is connected.
- Consult the dealer or an experienced radio / TV technician for help.

DECLARATION OF CONFORMITY

The following information is not to be used as contact for support or sales. Please call our customer service number (listed on our website at www.oregonscientific.com), or on the warranty card for this product) for all inquiries instead.

We

Name: Oregon Scientific, Inc.
Address: 19861 SW 95th Ave., Tualatin,
Oregon 97062 USA
Telephone No.: 1-800-853-8883

declare that the product

Product No.: WS901
Product Name: Mini Massager
Manufacturer: iPM Concepts Limited
Address: Block C, 9/F, Kaiser Estate,
Phase 1, 41 Man Yue St., Hung Hom, Kowloon,
Hong Kong

is in conformity with Part 15 of the FCC Rules. Operation is subject to the following two conditions: 1) This device may not cause harmful interference. 2) This device must accept any interference received, including interference that may cause undesired operation.