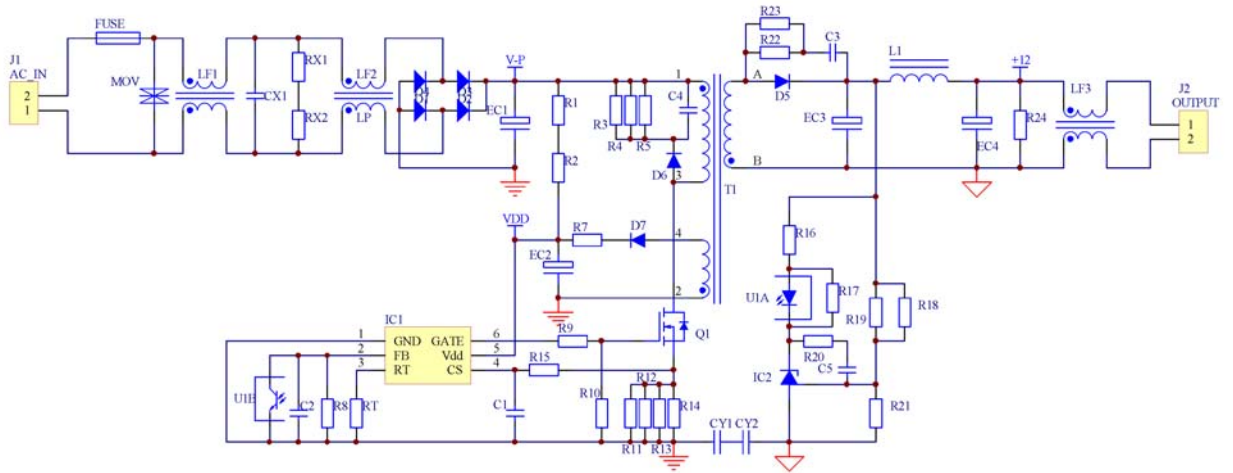


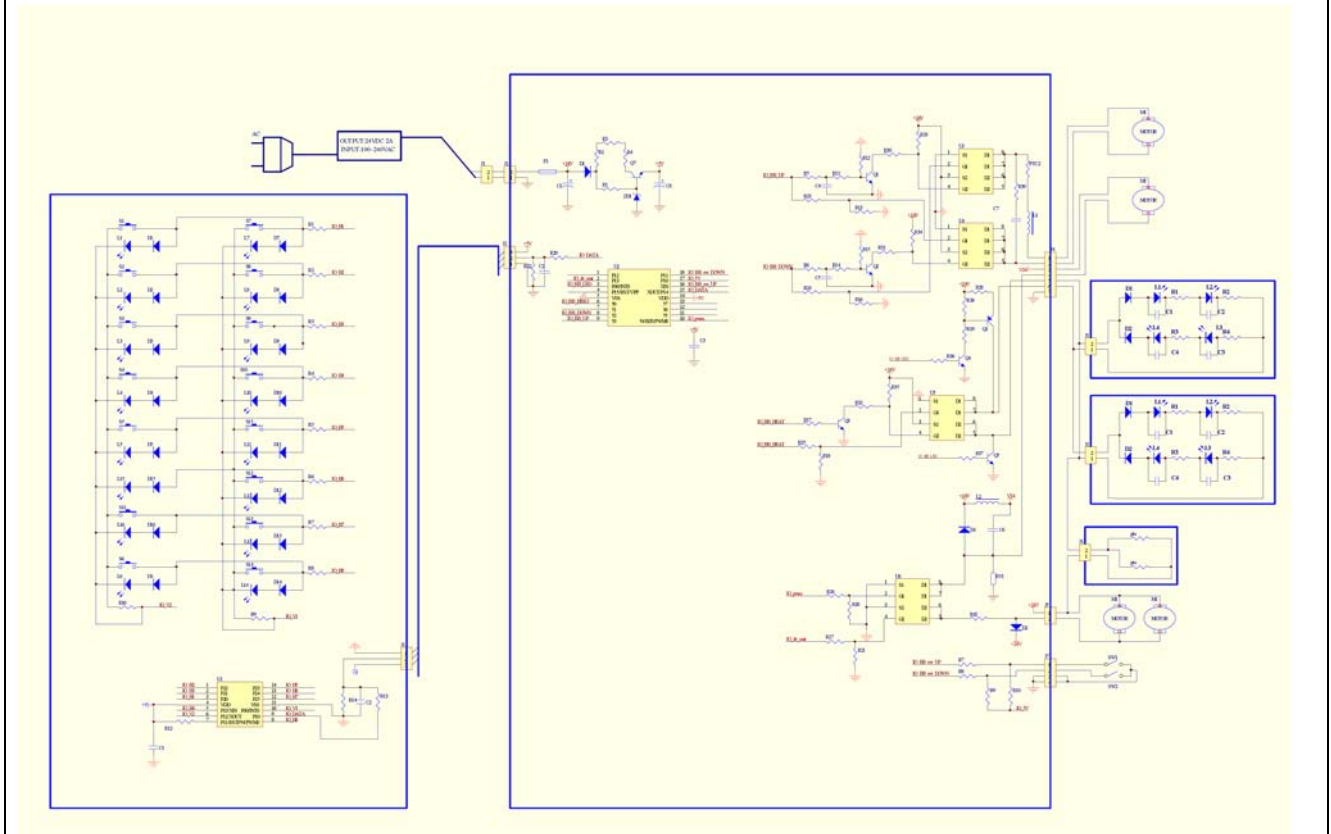
Circuit diagram documentation

Model of: SGM-425H-EU, GSM-400H-GB

Switching power board circuit diagram



Main circuit diagram



--- End of attachment ---