

Compliance (Summary) Report

Report No.: GZES120800784301

Date: 2012-11-07

Applicant: HoMedics Group Ltd.
HoMedics House, Somerhill Business Park, Five Oak Green Road, Tonbridge, Kent
TN11 0GP England

Testing location/address: SGS-CSTC Standards Technical Services Co., Ltd. - E&E Lab Guangzhou
198 Kezhu Road, Scientech Park, Guangzhou Economic & Technology Development
District, Guangzhou, Guangdong, China 510663

The standards: BS EN / EN 60335-1: 2002 + A11: 2004 + A1: 2004 + A12: 2006 + A2: 2006 + A13:
2008 + A14: 2010 + A15: 2011
BS EN / EN 60335-2-32: 2003 + A1: 2008
BS EN / EN 62233: 2008

Test item description: Ultrasound cavitations

Trade Mark: **HOMEDICS**

Test object / Model : USL-1000-EU

Ratings: 220 – 240 V, 50 – 60 Hz, 30 W, Class II

Test result : In the opinion of SGS-CSTC the presented appliance was found to be in compliance
with the test specification as indicated in the details on the following pages.

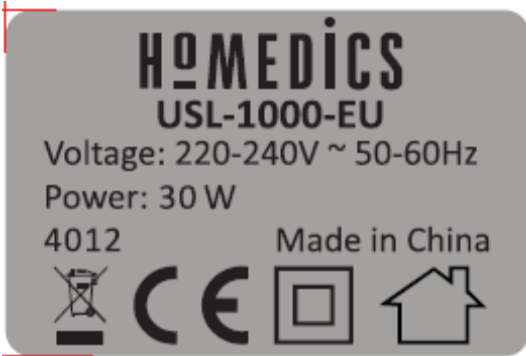
Remark: PO No.: PC0001173

Nick Cui
Reviewer
E&E Safety Laboratory



Kyle Zhang
Project Engineer

Copy of marking plate



Summary of testing:

Tests according to the following standards were carried out :

- BS EN / EN 60335-1: 2002 + A11: 2004 + A1: 2004 + A12: 2006 + A2: 2006 + A13: 2008 + A14: 2010 + A15: 2011
- BS EN / EN 60335-2-32: 2003 + A1: 2008
- BS EN / EN 62233: 2008

The submitted samples fulfil the requirements of the relevant standards.

Test item particulars	—
Classification of installation and use.....	Portable appliance (Hand-held appliance)
Supply connection.....	Non-detachable power cord fitted with plug
Operating condition.....	20 min

Possible test case verdicts:

- test case does not apply to the test object..... : N/A
- test object does meet the requirement : P (Pass)
- test object does not meet the requirement : F (Fail)

Testing

Date of receipt of test item.....	2012-08-22
Date (s) of performance of tests.....	2012-08-22 to 2012-11-07

General product information:

Ultrasound cavitations for household and indoor use only.

This document is issued by the Company subject to its General Conditions of Service printed overleaf, available on request or accessible at www.sgs.com/terms_and_conditions.htm and, for electronic format documents, subject to Terms and Conditions for Electronic Documents at www.sgs.com/terms_e-document.htm. Attention is drawn to the limitation of liability, indemnification and jurisdiction issues defined therein. Any holder of this document is advised that information contained hereon reflects the Company's findings at the time of its intervention only and within the limits of Client's instructions, if any. The Company's sole responsibility is to its Client and this document does not exonerate parties to a transaction from exercising all their rights and obligations under the transaction documents. This document cannot be produced except in full, without prior written approval of the Company. Any unauthorized alteration, forgery or falsification of the content or appearance of this document is unlawful and offenders may be prosecuted to the fullest extent of the law.

Compliance (Summary) Report

Report No.: GZES120800784301

Date: 2012-11-07

BS EN / EN 60335-1 and BS EN / EN 60335-2-32		
Clause	Remarks	Verdict
7. Marking and instructions		P
8. Protection against access to live parts		P
9. Starting of motor-powered appliances		N/A
10. Power input and current	(see appended table)	P
11. Heating	(see appended table)	P
13. Leakage current and electric strength at operating temperature		P
14. Transient overvoltages		N/A
15. Moisture resistance		P
16. Leakage current and electric strength		P
17. Overload protection of transformer and associated circuits		P
18. Endurance		N/A
19. Abnormal operation	(see appended table)	P
20. Stability and mechanical hazards		P
21. Mechanical strength		P
22. Construction		P
23. Internal wiring		P
24. Components	(see appended table)	P
25. Supply connection and external flexible cords		P
26. Terminals for external conductors		P
27. Provisions for earthing		N/A
28. Screws and connections		P
29. Clearances, creepage distances and solid insulation		P
30. Tracking to Resistance to heat, fire		P
31. Resistance to rusting		P
32. Radiation, toxicity and similar hazards		P
Annex A Routine tests		N/A
Annex B Appliances powered by rechargeable batteries		N/A
Annex C Ageing test on motors		N/A
Annex D Thermal motor protectors		N/A
Annex E Needle flame test		P
Annex F Capacitors		N/A
Annex G Safety isolating transformers		P
Annex H Switches		N/A

This document is issued by the Company subject to its General Conditions of Service printed overleaf, available on request or accessible at www.sgs.com/terms_and_conditions.htm and, for electronic format documents, subject to Terms and Conditions for Electronic Documents at www.sgs.com/terms_e-document.htm. Attention is drawn to the limitation of liability, indemnification and jurisdiction issues defined therein. Any holder of this document is advised that information contained hereon reflects the Company's findings at the time of its intervention only and within the limits of Client's instructions, if any. The Company's sole responsibility is to its Client and this document does not exonerate parties to a transaction from exercising all their rights and obligations under the transaction documents. This document cannot be produced except in full, without prior written approval of the Company. Any unauthorized alteration, forgery or falsification of the content or appearance of this document is unlawful and offenders may be prosecuted to the fullest extent of the law.

Compliance (Summary) Report

Report No.: GZES120800784301

Date: 2012-11-07

Annex I Motors having basic insulation that is inadequate for the rated voltage of the appliance		N/A
Annex J Coated printed circuit boards		N/A
Annex K Overvoltage categories		P
Annex L Guidance for the measurement of clearances		P
Annex M Pollution degree		P
Annex N Proof tracking test		N/A
Annex O Selection and sequence of the tests of clause 30		P
Annex P Guidance for the application of this standard to appliances used in warm damp equable climates		N/A
Annex Q Sequence of tests for the evaluation of electronic circuits		P
Annex R Software evaluation		N/A

ANNEX EMF		
	The Tested product also complies to the requirements of BS EN / EN 62233: 2008	—
	Limit 100%	Max.: 3,98 %
		P

This document is issued by the Company subject to its General Conditions of Service printed overleaf, available on request or accessible at www.sgs.com/terms_and_conditions.htm and, for electronic format documents, subject to Terms and Conditions for Electronic Documents at www.sgs.com/terms_e-document.htm. Attention is drawn to the limitation of liability, indemnification and jurisdiction issues defined therein. Any holder of this document is advised that information contained hereon reflects the Company's findings at the time of its intervention only and within the limits of Client's instructions, if any. The Company's sole responsibility is to its Client and this document does not exonerate parties to a transaction from exercising all their rights and obligations under the transaction documents. This document cannot be produced except in full, without prior written approval of the Company. Any unauthorized alteration, forgery or falsification of the content or appearance of this document is unlawful and offenders may be prosecuted to the fullest extent of the law.

Compliance (Summary) Report

Report No.: GZES120800784301

Date: 2012-11-07

ANNEX 1: Data Table

10.1	TABLE: Power input deviation					P
Input deviation of/at:	P rated (W)	P measured (W)	Dp	Required Dp	Remark	
220 V – 240 V / 230 V, 50 Hz	30	19,4	-35,3%	+20%	—	
220 V – 240 V / 230 V, 60 Hz	30	18,9	-37,0%	+20%	—	

11.8	TABLE: Heating test, thermocouples		P
	Test voltage (V)	254,4	—
	Ambient (°C)	t ₁ : 24,2 t ₂ : 24,3	—
Thermocouple locations	Dt (K)	Max. Dt (K)	
Pin of inlet	0,8	45	
Switch ambient	2,2	T85-25=60	
Fuse holder	1,8	For clause 30.1	
X Capacitor surface	3,0	T100-25=75	
VDR surface	3,2	T85-25=60	
Inductor winding	2,1	65 (class 105)	
Relay ambient	6,8	T85-25=60	
Transformer winding / bobbin on switching power unit (D1)	10,5	65 (class 105)	
Optocoupler on switching power unit (D1)	10,0	T110-25=85	
PCB for switching power unit (D1)	10,3	120	
Transformer winding / bobbin on switching power unit (D2)	8,2	65 (class 105) / For clause 30.1	
Optocoupler on switching power unit (D2)	4,9	T110-25=85	
PCB for switching power unit (D2)	2,9	120	
Y Capacitor on switching power unit (D2)	7,6	T85-25=60	
Optocoupler (U2) on main PCB	3,1	T110-25=85	
X Capacitor (C2) on main PCB	1,8	T100-25=75	
Transformer winding / bobbin (T2) on main PCB	9,9	65 (class 105) / For clause 30.1	

This document is issued by the Company subject to its General Conditions of Service printed overleaf, available on request or accessible at www.sgs.com/terms_and_conditions.htm and, for electronic format documents, subject to Terms and Conditions for Electronic Documents at www.sgs.com/terms_e-document.htm. Attention is drawn to the limitation of liability, indemnification and jurisdiction issues defined therein. Any holder of this document is advised that information contained hereon reflects the Company's findings at the time of its intervention only and within the limits of Client's instructions, if any. The Company's sole responsibility is to its Client and this document does not exonerate parties to a transaction from exercising all their rights and obligations under the transaction documents. This document cannot be produced except in full, without prior written approval of the Company. Any unauthorized alteration, forgery or falsification of the content or appearance of this document is unlawful and offenders may be prosecuted to the fullest extent of the law.

Compliance (Summary) Report

Report No.: GZES120800784301

Date: 2012-11-07

Transformer winding / bobbin (T3) on main PCB	3,1	65 (class 105) / For clause 30.1
Inductor winding (L1) on main PCB	4,7	65 (class 105)
Main PCB on main PCB	4,2	120
Fan winding (fan 1)	9,8	65 (class 105)
Fan winding (fan 2)	8,1	65 (class 105)
Internal wire	2,4	T105-25=80
Massage head surface	22,0	30
Appliance enclosure	1,8	60
Control panel	0,6	60
Knob of switch	3,3	60
Test floor	0,6	65

13.2	TABLE: Leakage current		P
	Heating appliances: 1.15 x rated input :	—	—
	Motor-operated and combined appliances: 1.06 x rated voltage :	254,4 V	—
	Leakage current between	I (mA)	Max. allowed I (mA)
	Live part and accessible plastic surface	0,01	0,25

13.3	TABLE: Electric strength		P
	Test voltage applied between:	Voltage (V)	Breakdown (Yes/No)
	Live part and accessible plastic surface	3000	No

16.2	TABLE: Leakage current		P
	Single phase appliances: 1.06 x rated voltage :	254,4 V	—
	Three phase appliances 1.06 x rated voltage divided by $\sqrt{3}$: :	—	—
	Leakage current between	I (mA)	Max. allowed I (mA)
	Live part and accessible plastic surface	0,01	0,25

16.3	TABLE: Electric strength		P
------	--------------------------	--	---

This document is issued by the Company subject to its General Conditions of Service printed overleaf, available on request or accessible at www.sgs.com/terms_and_conditions.htm and, for electronic format documents, subject to Terms and Conditions for Electronic Documents at www.sgs.com/terms_e-document.htm. Attention is drawn to the limitation of liability, indemnification and jurisdiction issues defined therein. Any holder of this document is advised that information contained hereon reflects the Company's findings at the time of its intervention only and within the limits of Client's instructions, if any. The Company's sole responsibility is to its Client and this document does not exonerate parties to a transaction from exercising all their rights and obligations under the transaction documents. This document cannot be produced except in full, without prior written approval of the Company. Any unauthorized alteration, forgery or falsification of the content or appearance of this document is unlawful and offenders may be prosecuted to the fullest extent of the law.

Compliance (Summary) Report

Report No.: GZES120800784301

Date: 2012-11-07

Test voltage applied between:	Voltage (V)	Breakdown (Yes/No)
Live part and accessible plastic surface	3000	No

17	TABLE: Overload protection, temperature rise		P
Temperature rise of part/at:	Dt (K)	Max. Dt (K)	
Transformer winding on switching power unit (D1)	56,5	T150-25=125(class 105)	
Transformer winding on switching power unit (D2)	40,6	T150-25=125(class 105)	
Transformer winding (T2) on main PCB	5,7	T150-25=125(class 105)	
Transformer winding (T3) on main PCB	6,9	T150-25=125(class 105)	

19.7	TABLE: Abnormal operation, temperature rises			P
Thermocouple locations	Dt (K)		Max. Dt (K)	
	Locked Fan 1	Locked Fan 2		
Appliance enclosure	5,0	7,0	For clause 30.1	
Motor winding	43,4	34,8	T200-25=175(Class 105)	

24.1	TABLE: Components					P
Object / part No.	Manufacturer/ trademark	Type / model	Technical data	Standard	Mark(s) of conformity	
BS Plug	Ching Cheng Wire Material Co Ltd	EL 210	AC 250 V; 13 A	BS 1363-1	BSI KM 39096	
- alternative	Various	Approved type	AC 250 V; 13 A	BS 1363-1	e.g. BSI	
Power cord	Ta Hsing Industries Ltd.	H03VVH2-F 60227 IEC 52	3G0,75mm ²	DIN VDE 0281-5	VDE 40009794	
- alternative	Various	H03VVH2-F 60227 IEC 52	3G0,75mm ²	DIN VDE 0281-5	e.g. VDE	
Connector	Kenic Electric Mfg. Co. Ltd.	KE-22C	AC 250 V; 2,5 A	EN 60320-1	VDE 40001106	
- alternative	Various	Approved type	AC 250 V; 2,5 A	EN 60320-1	e.g. VDE	

This document is issued by the Company subject to its General Conditions of Service printed overleaf, available on request or accessible at www.sgs.com/terms_and_conditions.htm and, for electronic format documents, subject to Terms and Conditions for Electronic Documents at www.sgs.com/terms_e-document.htm. Attention is drawn to the limitation of liability, indemnification and jurisdiction issues defined therein. Any holder of this document is advised that information contained hereon reflects the Company's findings at the time of its intervention only and within the limits of Client's instructions, if any. The Company's sole responsibility is to its Client and this document does not exonerate parties to a transaction from exercising all their rights and obligations under the transaction documents. This document cannot be produced except in full, without prior written approval of the Company. Any unauthorized alteration, forgery or falsification of the content or appearance of this document is unlawful and offenders may be prosecuted to the fullest extent of the law.

Compliance (Summary) Report

Report No.: GZES120800784301

Date: 2012-11-07

Appliance inlet	Zhe Jiang Bei Er Jia Electronic Co., Ltd.	ST-A03-002	AC 250 V; 2,5 A; T 70 °C; 850 °C	EN 60320-1	VDE 40014833
- alternative	Zhejiang LECI Electronics Co., Ltd.	DB-8-7S1	AC 250 V; 2,5 A; T 70 °C; 850 °C	EN 60320-1	VDE 40032028
Power Switch	Zhe Jiang Bei Er Jia Electronic Co., Ltd.	PS8A-2-B1B3-1H-01	AC 250 V ; 6(4) A; 10E3; T105; 850°C	EN 61058-1	VDE 40027141
- alternative	Zhejiang LECI Electronics Co., Ltd.	RS601	AC 250 V, 6(4) A, 10E3, T85, 850 °C	EN 61058-1	VDE 40017430
Current fuse	Schurter AG	SMD-FST 5x20	AC 250 V; 1 A	IEC / EN 60127-1	VDE 40011522
- alternative	Dongguan Reomax Electronics Co., Ltd.	TBP	AC 250 V; 1 A	IEC / EN 60127-1	VDE 40032053
VDR	Thinking Electronic Industrial Co., Ltd.	TVR14471 14D471K	AC 470V, 40/85/56	DIN EN 61051-1	VDE 5944
X Capacitor	Tenta Electric Industrial Co., Ltd.	MEX	AC 275 V; 0,22 uF; 40/100/21	EN 60384-14	VDE 119119
Y Capacitor	Jyh Chung Electronic Co., Ltd.	JD	AC 400 V, 2200pF; 40/085/21	EN 60384-14	VDE 137027
Optocoupler	Everlight Electronics Co., Ltd.	EL817	55/110/21	DIN EN 60747-5-2	VDE 132249
- alternative	Sharp Cororation	PC817	55/110/21	DIN EN 60747-5-2	VDE 40008087
Relay	Xiamen Hongfa Electroacoustics Co., Ltd.	JZC-32F-005-HS3(555)	AC 250 V; 5 A; Coil: DC 5V; T85; 850 / 750 °C; 1E5	EN 61810-1	VDE 40012204
Transformer (T2)	Shenzhen Dongchuangyi (Shunfa) Electronic Co., Ltd.	PQ3535-DCY-GPQ354003L	2UEW N1:φ0,35mm x 28Ts x 5; TIW-B N2, N6: φ0,5mm x 14Ts; N3, N4, N5: φ0,5mm x 12Ts; class 105	EN 60335-1 EN 60335-2-32	Tested with appliance

This document is issued by the Company subject to its General Conditions of Service printed overleaf, available on request or accessible at www.sgs.com/terms_and_conditions.htm and, for electronic format documents, subject to Terms and Conditions for Electronic Documents at www.sgs.com/terms_e-document.htm. Attention is drawn to the limitation of liability, indemnification and jurisdiction issues defined therein. Any holder of this document is advised that information contained hereon reflects the Company's findings at the time of its intervention only and within the limits of Client's instructions, if any. The Company's sole responsibility is to its Client and this document does not exonerate parties to a transaction from exercising all their rights and obligations under the transaction documents. This document cannot be produced except in full, without prior written approval of the Company. Any unauthorized alteration, forgery or falsification of the content or appearance of this document is unlawful and offenders may be prosecuted to the fullest extent of the law.

Compliance (Summary) Report

Report No.: GZES120800784301

Date: 2012-11-07

Transformer for switching power PCB (D1)	Shenzhen Dongchuangyi (Shunfa) Electronic Co., Ltd.	EE19-DCY-GE0194007L	2UEW N1: $\phi 0,16\text{mm} \times 176\text{T}$ s; N3: $\phi 0,2\text{mm} \times 28\text{T}$ s; TIW-B N2: $\phi 0,45\text{mm} \times 28\text{T}$ s; class 105	EN 60335-1 EN 60335-2-32	Tested with appliance
Transformer for switching power PCB (D2)	Shenzhen Dongchuangyi (Shunfa) Electronic Co., Ltd.	EPC13-DCY-GPC134035W	2UEW N1: $\phi 0,1\text{mm} \times 166\text{T}$ s; N3: $\phi 0,1\text{mm} \times 40\text{T}$ s; TIW-B N2: $\phi 0,2\text{mm} \times 14\text{T}$ s; class 105	EN 60335-1 EN 60335-2-32	Tested with appliance
Transformer (T3)	Shenzhen Dongchuangyi (Shunfa) Electronic Co., Ltd.	EF-20-DCY-GF0204006W	2UEW N1: $\phi 0,25\text{mm} \times 28\text{T}$ s; N3: $\phi 0,25\text{mm} \times 30\text{T}$ s; TIW-B N2: $\phi 0,25\text{mm} \times 50\text{T}$ s; class 105	EN 60335-1 EN 60335-2-32	Tested with appliance
Multi-layer Insulated Winding Wire for transformer	SHANGHAI SURAN ELECTRONICS FACTORY	TIW-B	Reinforced insulation, rated 130°C	EN 60335-1 EN 60335-2-32	Tested with appliance
Fan motor	SHENZHEN HUAXIA HENGTAI ELECTRONIC CO., LTD.	YM1206PHB1	12 VDC; 2,16 W; class 105	EN 60335-1 EN 60335-2-32	Tested with appliance
Internal wire	SHEN ZHEN HENGDIAN ELECTRIC CO LTD	1015	600 VAC / 750 VDC, 18 AWG, 105°C	EN 60335-1 EN 60335-2-32	Tested with appliance UL E252861
Alternative	Various	1015	600 VAC / 750 VDC, 18 AWG, 105°C	EN 60335-1 EN 60335-2-32	Tested with appliance e.g, UL
PCB	FAI WONG ELECTRONIC P C B CO	—	V-0	EN 60335-1 EN 60335-2-32	Tested with appliance UL E171766

This document is issued by the Company subject to its General Conditions of Service printed overleaf, available on request or accessible at www.sgs.com/terms_and_conditions.htm and, for electronic format documents, subject to Terms and Conditions for Electronic Documents at www.sgs.com/terms_e-document.htm. Attention is drawn to the limitation of liability, indemnification and jurisdiction issues defined therein. Any holder of this document is advised that information contained hereon reflects the Company's findings at the time of its intervention only and within the limits of Client's instructions, if any. The Company's sole responsibility is to its Client and this document does not exonerate parties to a transaction from exercising all their rights and obligations under the transaction documents. This document cannot be produced except in full, without prior written approval of the Company. Any unauthorized alteration, forgery or falsification of the content or appearance of this document is unlawful and offenders may be prosecuted to the fullest extent of the law.

Compliance (Summary) Report

Report No.: GZES120800784301

Date: 2012-11-07

- alternative	GOLDENMAX INTERNATIONAL TECHNOLOGY LTD	—	V-0	EN 60335-1 EN 60335-2-32	Tested with appliance UL E224772
Transducer	Hainertec (Suzhou) Co. Ltd	HNM-4SH-3840-D50B	40 KHz; 5400 pF; 70 W;	EN 60335-1 EN 60335-2-32	Tested with appliance
Appliance enclosure	Dongguan Junhang Plastic Products Co., Ltd.	—	ABS-757(70%) +PC-2805(30%)	EN 60335-1 EN 60335-2-32	Tested with appliance

29.1	TABLE: Clearances					P
	Overvoltage category.. :	II				—
		Type of insulation:				
Rated impulse voltage (V):	Min. cl (mm)	Basic	Functional	Supplementary	Reinforced	Verdict / Remark
2 500	1,5**	b) 4,2 mm	a) 2,6 mm	c) 13,4 mm	—	P / a) B/W L&N on main PCB b) B/W Pin of Y capacitor c) B/W internal wire and accessible plastic surface
4 000	3,0**	—	—	—	d) 4,2 mm	P / d) B/W SELV Part and Live part on main PCB
6 000	5,5**	—	—	—	—	N/A
8 000	8,0**	—	—	—	—	N/A
10 000	11,0**	—	—	—	—	N/A
<p>*) The value is increased to 0,8 mm for pollution degree 3</p> <p>**) If the construction is affected by wear, distortion, movement of the parts or during assembly, the value is increased by 0,5 mm</p>						

Compliance (Summary) Report

Report No.: GZES120800784301

Date: 2012-11-07

29.2	TABLE: Creepage distances, basic, supplementary and reinforced insulation											P
Working voltage (V)	Creepage distance (mm) Pollution degree							Type of insulation (mm)			Verdict	
	1	2			3							
		Material group			Material group							
		I	II	IIIa/IIIb	I	II	IIIa/IIIb	B*)	S*)	R*)		
>125 and ≤250	0,6	1,3	1,8	2,5	3,2	3,6	4,0	4,2	—	—	P / b)	
>125 and ≤250	0,6	1,3	1,8	2,5	3,2	3,6	4,0	—	13,4	—	P / c)	
>125 and ≤250	1,2	2,6	3,6	5,0	6,4	7,2	8,0	—	—	12,6	P / d)	

*) , B=Basic, S=Supplementary and R=Reinforced

29.2	TABLE: Creepage distances, functional insulation								P
Working voltage (V)	Creepage distance (mm) Pollution degree							Verdict / Remark	
	1	2			3				
		Material group			Material group				
		I	II	IIIa/IIIb	I	II	IIIa/IIIb		
>125 and ≤250	0,4	1,0	1,4	2,0	2,5	2,8	3,2	P / a) 6,0mm	

30.1	TABLE: Ball pressure			P
Part	Test temperature (°C)	Impression diameter (mm)	Allowed impression diameter (mm)	
Appliance enclosure	75	1,1	2,0	
Transformer bobbin on switching power unit (D1)	125	0,8	2,0	
Transformer bobbin on switching power unit (D2)	125	1,4	2,0	
Transformer bobbin (T2) on main PCB	125	1,0	2,0	
Transformer bobbin (T3) on main PCB	125	1,2	2,0	

This document is issued by the Company subject to its General Conditions of Service printed overleaf, available on request or accessible at www.sgs.com/terms_and_conditions.htm and, for electronic format documents, subject to Terms and Conditions for Electronic Documents at www.sgs.com/terms_e-document.htm. Attention is drawn to the limitation of liability, indemnification and jurisdiction issues defined therein. Any holder of this document is advised that information contained hereon reflects the Company's findings at the time of its intervention only and within the limits of Client's instructions, if any. The Company's sole responsibility is to its Client and this document does not exonerate parties to a transaction from exercising all their rights and obligations under the transaction documents. This document cannot be produced except in full, without prior written approval of the Company. Any unauthorized alteration, forgery or falsification of the content or appearance of this document is unlawful and offenders may be prosecuted to the fullest extent of the law.

Compliance (Summary) Report

Report No.: GZES120800784301

Date: 2012-11-07

30.2	TABLE: Glow-wire test			P
Part	Test temperature (°C)	Result / observation	Remark	
Transformer bobbin on switching power unit (D1)	750	Pass / no flame, no glowing drop	—	
Transformer bobbin on switching power unit (D2)	750	Pass / no flame, no glowing drop	—	
Transformer bobbin (T2) on main PCB	750	Pass / no flame, no glowing drop	—	
Transformer bobbin (T3) on main PCB	750	Pass / no flame, no glowing drop	—	
Appliance enclosure	550	Pass / no flame, no glowing drop	—	
Fan motor bobbin	650	Pass / no flame, no glowing drop	—	
Connector	650	Pass / no flame, no glowing drop	—	
Fuse holder	650	Pass / no flame, no glowing drop	—	
High voltage output terminal	750	Pass / no flame, no glowing drop	—	
Massage head connector	750	Pass / no flame, no glowing drop	—	
Inductor bobbin	750	Pass / after 30s, no flame and no glowing drop	—	

This document is issued by the Company subject to its General Conditions of Service printed overleaf, available on request or accessible at www.sgs.com/terms_and_conditions.htm and, for electronic format documents, subject to Terms and Conditions for Electronic Documents at www.sgs.com/terms_e-document.htm. Attention is drawn to the limitation of liability, indemnification and jurisdiction issues defined therein. Any holder of this document is advised that information contained hereon reflects the Company's findings at the time of its intervention only and within the limits of Client's instructions, if any. The Company's sole responsibility is to its Client and this document does not exonerate parties to a transaction from exercising all their rights and obligations under the transaction documents. This document cannot be produced except in full, without prior written approval of the Company. Any unauthorized alteration, forgery or falsification of the content or appearance of this document is unlawful and offenders may be prosecuted to the fullest extent of the law.

Compliance (Summary) Report

Report No.: GZES120800784301

Date: 2012-11-07

ANNEX 2: Photo documentation

Details of: Appearance

View:

general

front

rear

right

left

top

bottom



Details of: Appearance

View:

general

front

rear

right

left

top

bottom



This document is issued by the Company subject to its General Conditions of Service printed overleaf, available on request or accessible at www.sgs.com/terms_and_conditions.htm and, for electronic format documents, subject to Terms and Conditions for Electronic Documents at www.sgs.com/terms_e-document.htm. Attention is drawn to the limitation of liability, indemnification and jurisdiction issues defined therein. Any holder of this document is advised that information contained herein reflects the Company's findings at the time of its intervention only and within the limits of Client's instructions, if any. The Company's sole responsibility is to its Client and this document does not exonerate parties to a transaction from exercising all their rights and obligations under the transaction documents. This document cannot be produced except in full, without prior written approval of the Company. Any unauthorized alteration, forgery or falsification of the content or appearance of this document is unlawful and offenders may be prosecuted to the fullest extent of the law.

Compliance (Summary) Report

Report No.: GZES120800784301

Date: 2012-11-07

Details of: Appearance



Details of: Appearance



This document is issued by the Company subject to its General Conditions of Service printed overleaf, available on request or accessible at www.sgs.com/terms_and_conditions.htm and, for electronic format documents, subject to Terms and Conditions for Electronic Documents at www.sgs.com/terms_e-document.htm. Attention is drawn to the limitation of liability, indemnification and jurisdiction issues defined therein. Any holder of this document is advised that information contained herein reflects the Company's findings at the time of its intervention only and within the limits of Client's instructions, if any. The Company's sole responsibility is to its Client and this document does not exonerate parties to a transaction from exercising all their rights and obligations under the transaction documents. This document cannot be produced except in full, without prior written approval of the Company. Any unauthorized alteration, forgery or falsification of the content or appearance of this document is unlawful and offenders may be prosecuted to the fullest extent of the law.

Compliance (Summary) Report

Report No.: GZES120800784301

Date: 2012-11-07

Details of: Appearance



Details of: Appearance



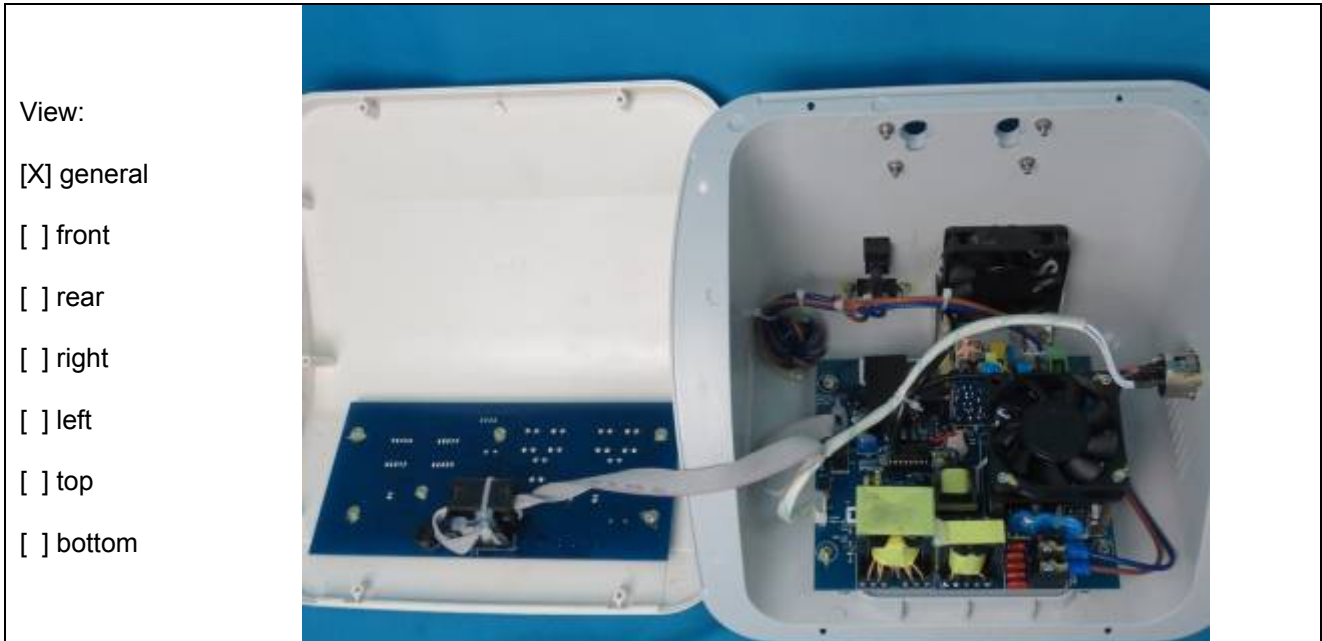
This document is issued by the Company subject to its General Conditions of Service printed overleaf, available on request or accessible at www.sgs.com/terms_and_conditions.htm and, for electronic format documents, subject to Terms and Conditions for Electronic Documents at www.sgs.com/terms_e-document.htm. Attention is drawn to the limitation of liability, indemnification and jurisdiction issues defined therein. Any holder of this document is advised that information contained hereon reflects the Company's findings at the time of its intervention only and within the limits of Client's instructions, if any. The Company's sole responsibility is to its Client and this document does not exonerate parties to a transaction from exercising all their rights and obligations under the transaction documents. This document cannot be produced except in full, without prior written approval of the Company. Any unauthorized alteration, forgery or falsification of the content or appearance of this document is unlawful and offenders may be prosecuted to the fullest extent of the law.

Compliance (Summary) Report

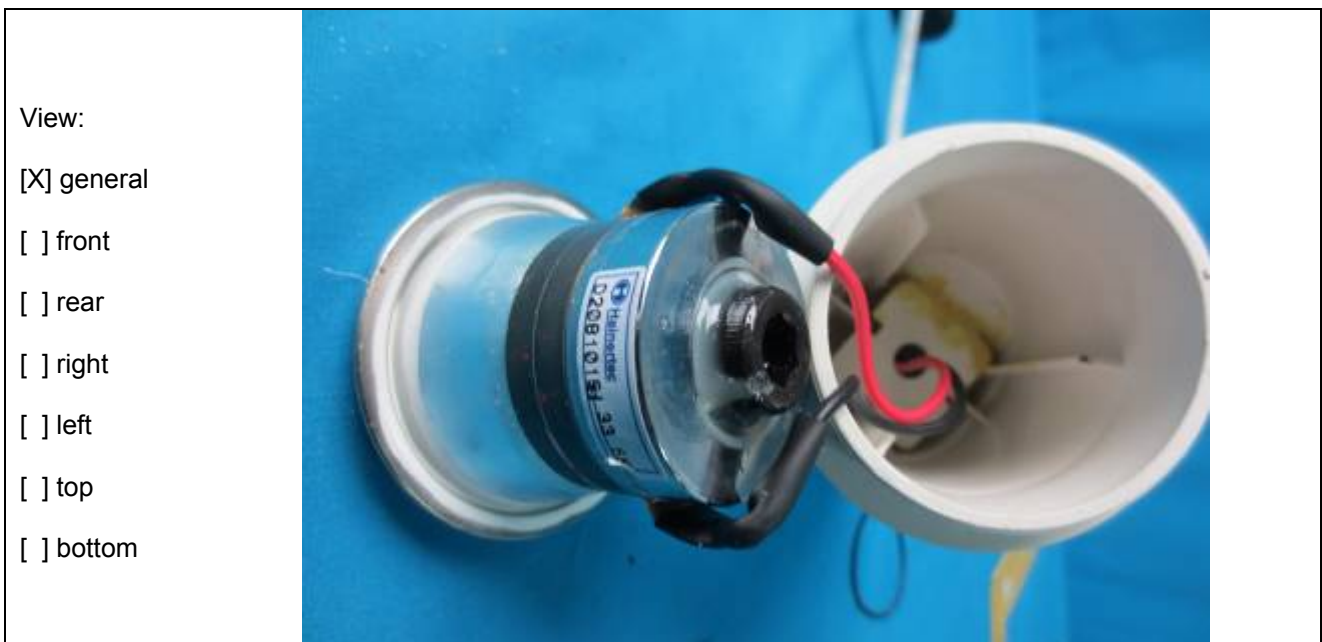
Report No.: GZES120800784301

Date: 2012-11-07

Details of: Inside view



Details of: Massage head inside view



This document is issued by the Company subject to its General Conditions of Service printed overleaf, available on request or accessible at www.sgs.com/terms_and_conditions.htm and, for electronic format documents, subject to Terms and Conditions for Electronic Documents at www.sgs.com/terms_e-document.htm. Attention is drawn to the limitation of liability, indemnification and jurisdiction issues defined therein. Any holder of this document is advised that information contained hereon reflects the Company's findings at the time of its intervention only and within the limits of Client's instructions, if any. The Company's sole responsibility is to its Client and this document does not exonerate parties to a transaction from exercising all their rights and obligations under the transaction documents. This document cannot be produced except in full, without prior written approval of the Company. Any unauthorized alteration, forgery or falsification of the content or appearance of this document is unlawful and offenders may be prosecuted to the fullest extent of the law.

Compliance (Summary) Report

Report No.: GZES120800784301

Date: 2012-11-07

Details of: Main PCB

View:

general

front

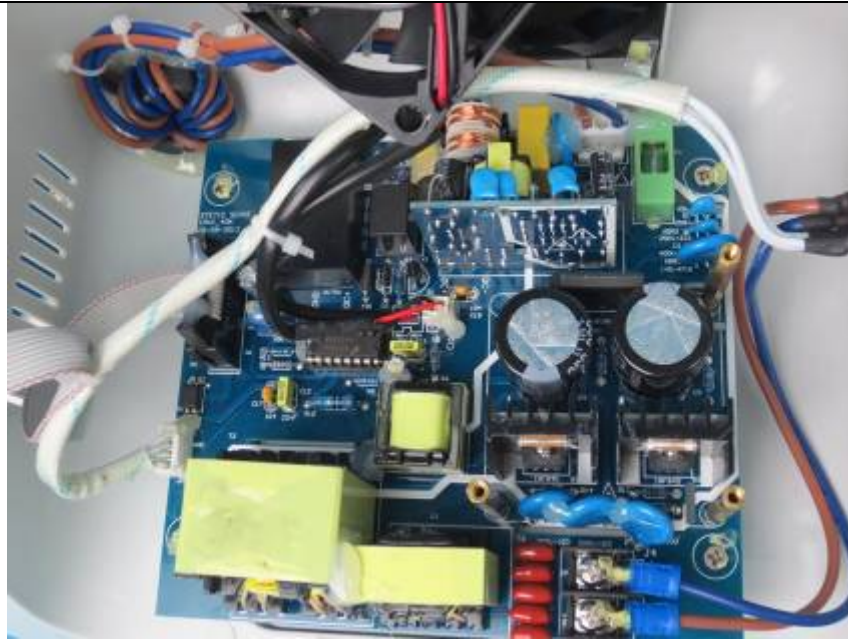
rear

right

left

top

bottom



Details of: Main PCB

View:

general

front

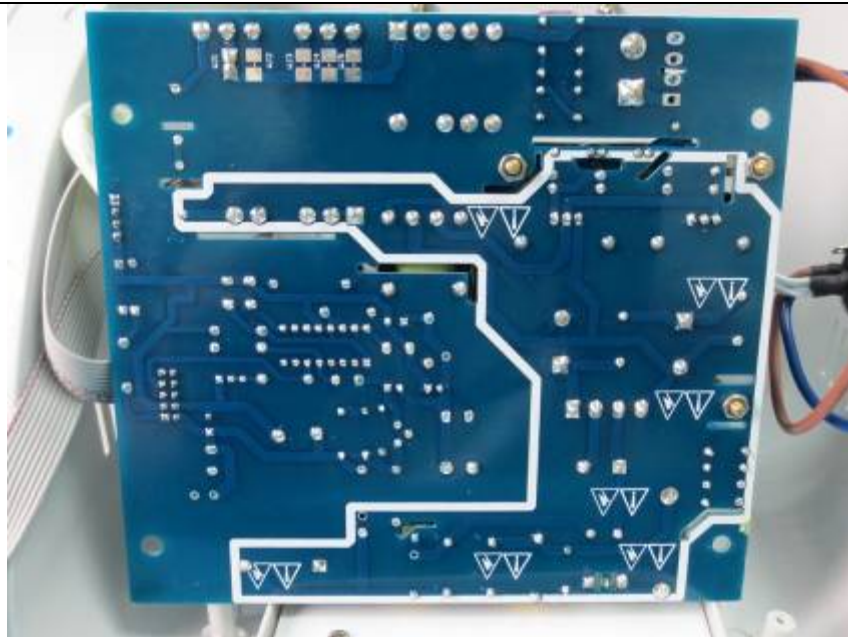
rear

right

left

top

bottom



This document is issued by the Company subject to its General Conditions of Service printed overleaf, available on request or accessible at www.sgs.com/terms_and_conditions.htm and, for electronic format documents, subject to Terms and Conditions for Electronic Documents at www.sgs.com/terms_e-document.htm. Attention is drawn to the limitation of liability, indemnification and jurisdiction issues defined therein. Any holder of this document is advised that information contained hereon reflects the Company's findings at the time of its intervention only and within the limits of Client's instructions, if any. The Company's sole responsibility is to its Client and this document does not exonerate parties to a transaction from exercising all their rights and obligations under the transaction documents. This document cannot be produced except in full, without prior written approval of the Company. Any unauthorized alteration, forgery or falsification of the content or appearance of this document is unlawful and offenders may be prosecuted to the fullest extent of the law.

Compliance (Summary) Report

Report No.: GZES120800784301

Date: 2012-11-07

Details of: Controller PCB

View:

general

front

rear

right

left

top

bottom



Details of: Controller PCB

View:

general

front

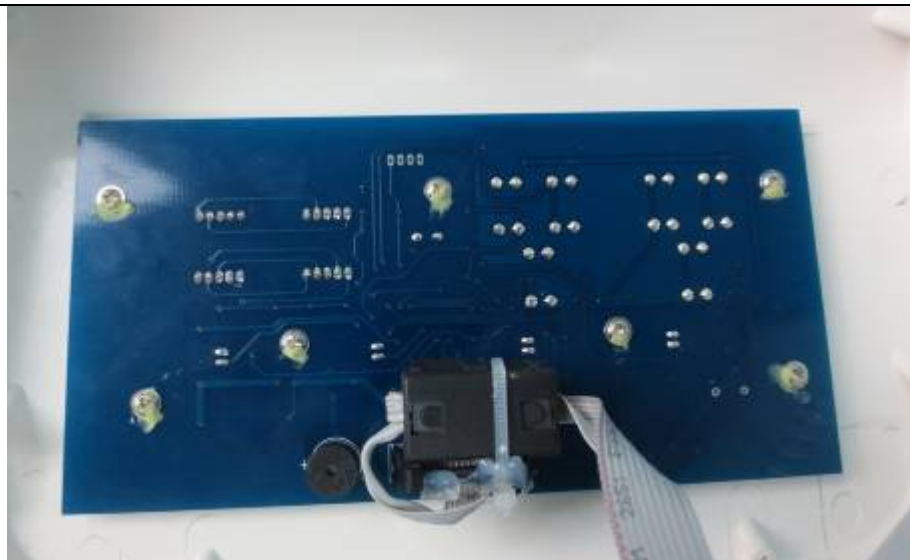
rear

right

left

top

bottom



This document is issued by the Company subject to its General Conditions of Service printed overleaf, available on request or accessible at www.sgs.com/terms_and_conditions.htm and, for electronic format documents, subject to Terms and Conditions for Electronic Documents at www.sgs.com/terms_e-document.htm. Attention is drawn to the limitation of liability, indemnification and jurisdiction issues defined therein. Any holder of this document is advised that information contained hereon reflects the Company's findings at the time of its intervention only and within the limits of Client's instructions, if any. The Company's sole responsibility is to its Client and this document does not exonerate parties to a transaction from exercising all their rights and obligations under the transaction documents. This document cannot be produced except in full, without prior written approval of the Company. Any unauthorized alteration, forgery or falsification of the content or appearance of this document is unlawful and offenders may be prosecuted to the fullest extent of the law.

SGS-CSTC Standards Technical Services Co., Ltd. - E&E Lab Guangzhou
198 Kezhu Road, Scientech Park, Guangzhou Economic & Technology Development District,
Guangzhou, Guangdong, China 510663

Tel.: +86 20 8215 5555 Fax: +86 20 8207 5058

Page 18 of 23

Compliance (Summary) Report

Report No.: GZES120800784301

Date: 2012-11-07

Details of: Switching power PCB (D1)

View:

general

front

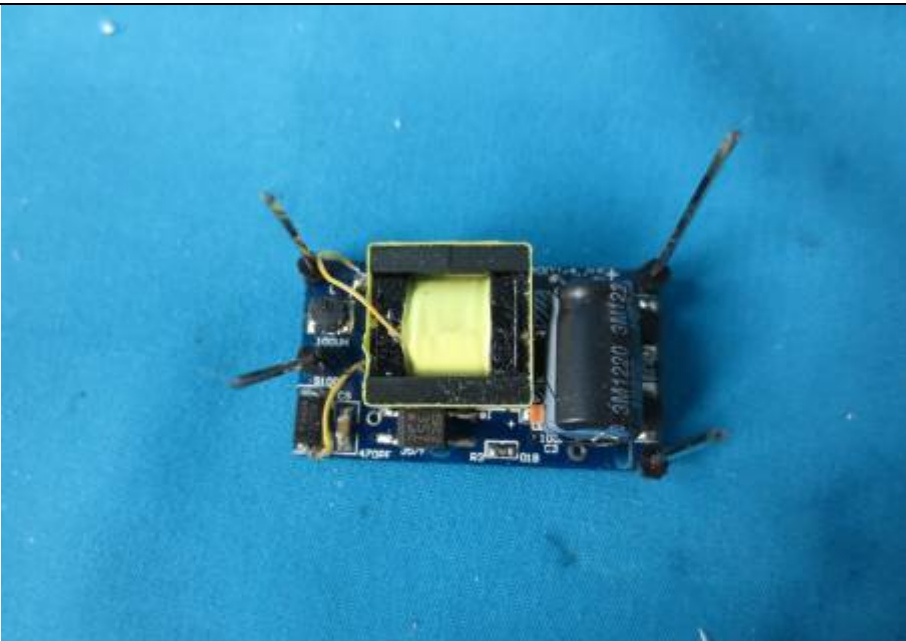
rear

right

left

top

bottom



Details of: Switching power PCB (D1)

View:

general

front

rear

right

left

top

bottom



This document is issued by the Company subject to its General Conditions of Service printed overleaf, available on request or accessible at www.sgs.com/terms_and_conditions.htm and, for electronic format documents, subject to Terms and Conditions for Electronic Documents at www.sgs.com/terms_e-document.htm. Attention is drawn to the limitation of liability, indemnification and jurisdiction issues defined therein. Any holder of this document is advised that information contained hereon reflects the Company's findings at the time of its intervention only and within the limits of Client's instructions, if any. The Company's sole responsibility is to its Client and this document does not exonerate parties to a transaction from exercising all their rights and obligations under the transaction documents. This document cannot be produced except in full, without prior written approval of the Company. Any unauthorized alteration, forgery or falsification of the content or appearance of this document is unlawful and offenders may be prosecuted to the fullest extent of the law.

Compliance (Summary) Report

Report No.: GZES120800784301

Date: 2012-11-07

Details of: Switching power PCB (D2)

View:

general

front

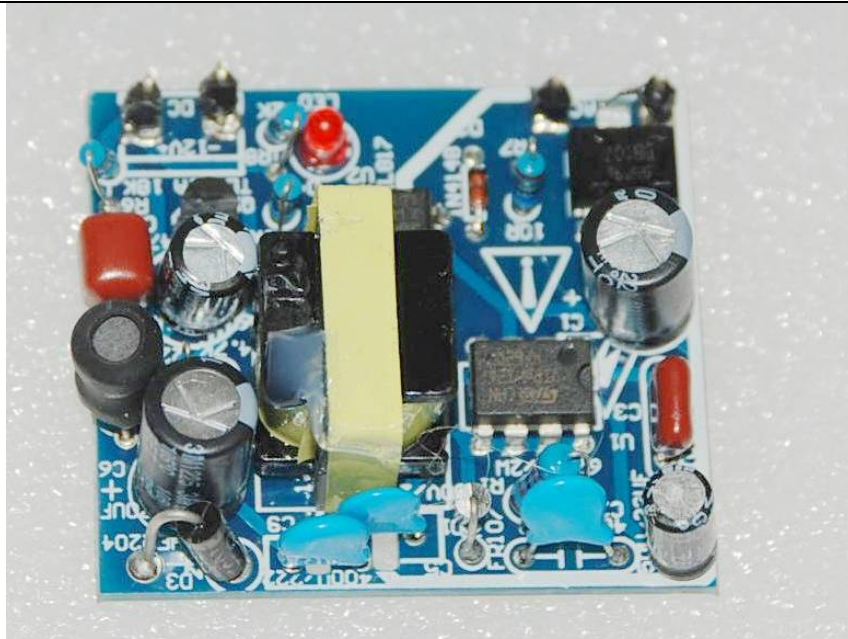
rear

right

left

top

bottom



Details of: Switching power PCB (D2)

View:

general

front

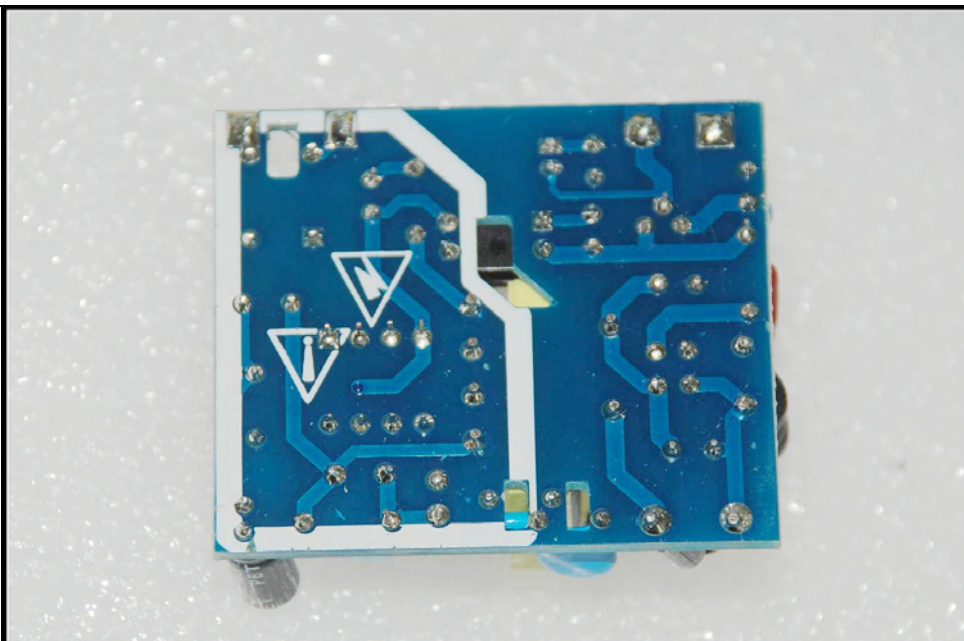
rear

right

left

top

bottom



This document is issued by the Company subject to its General Conditions of Service printed overleaf, available on request or accessible at www.sgs.com/terms_and_conditions.htm and, for electronic format documents, subject to Terms and Conditions for Electronic Documents at www.sgs.com/terms_e-document.htm. Attention is drawn to the limitation of liability, indemnification and jurisdiction issues defined therein. Any holder of this document is advised that information contained hereon reflects the Company's findings at the time of its intervention only and within the limits of Client's instructions, if any. The Company's sole responsibility is to its Client and this document does not exonerate parties to a transaction from exercising all their rights and obligations under the transaction documents. This document cannot be produced except in full, without prior written approval of the Company. Any unauthorized alteration, forgery or falsification of the content or appearance of this document is unlawful and offenders may be prosecuted to the fullest extent of the law.

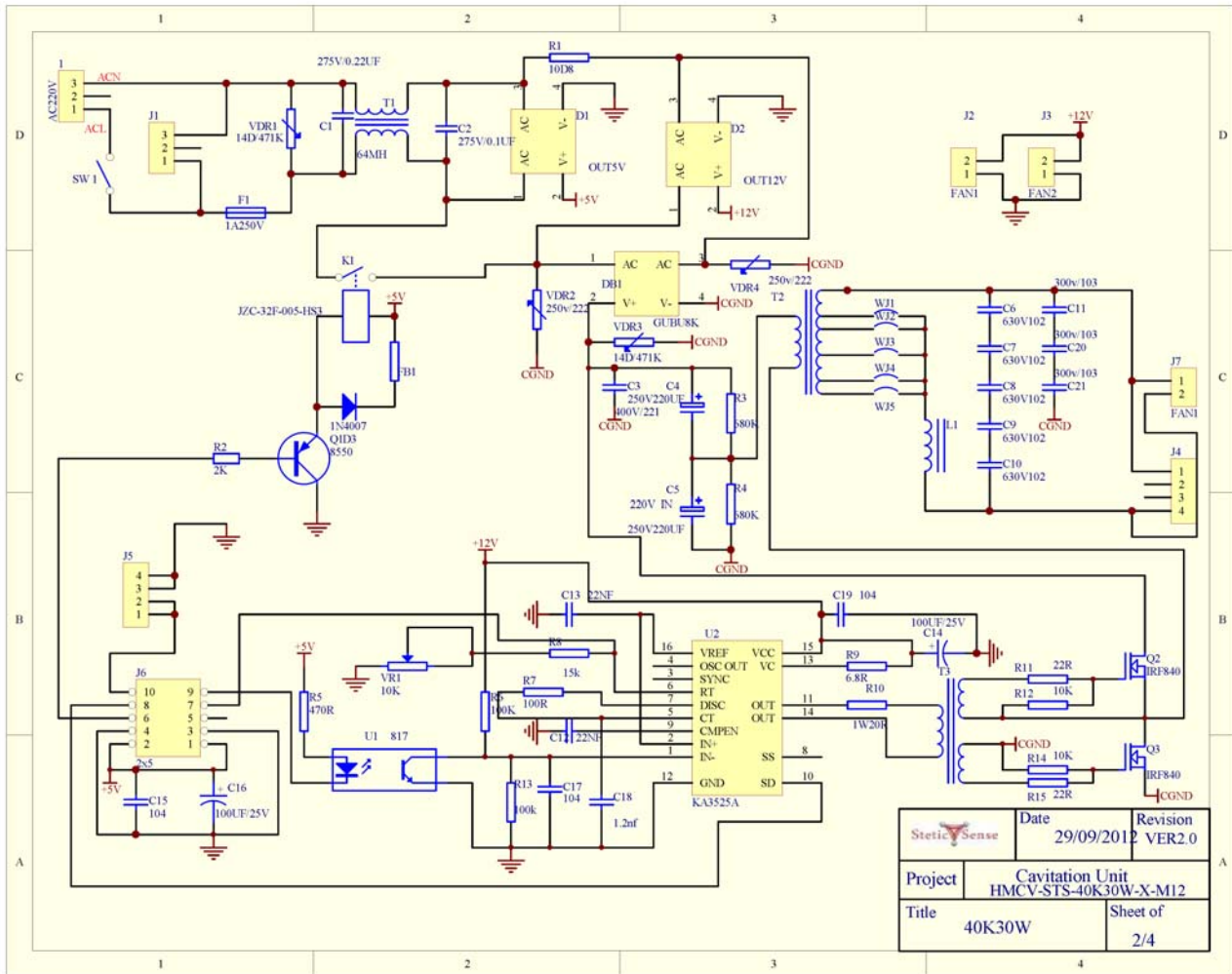
Compliance (Summary) Report

Report No.: GZES120800784301

Date: 2012-11-07

ANNEX 3: Circuit diagram

Main circuit diagram



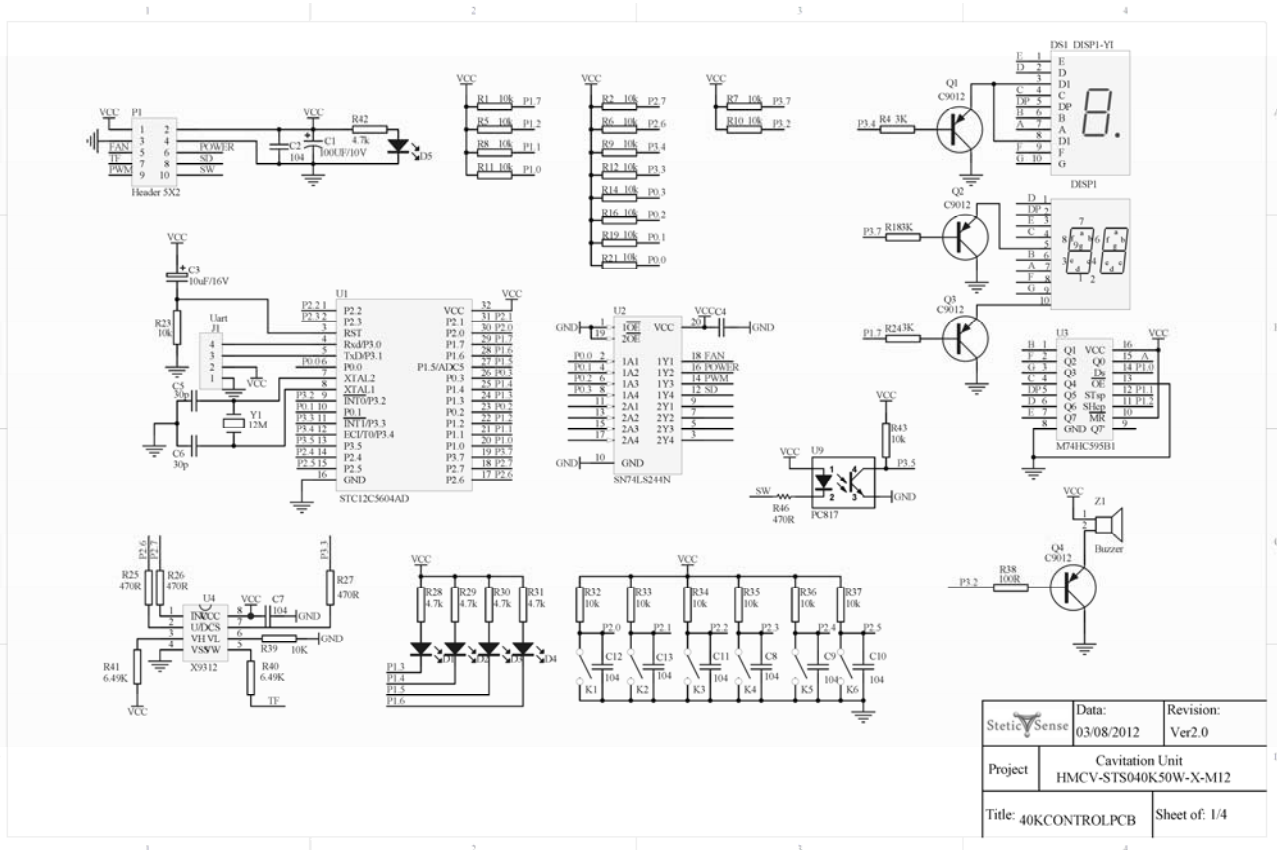
This document is issued by the Company subject to its General Conditions of Service printed overleaf, available on request or accessible at www.sgs.com/terms_and_conditions.htm and, for electronic format documents, subject to Terms and Conditions for Electronic Documents at www.sgs.com/terms_e-document.htm. Attention is drawn to the limitation of liability, indemnification and jurisdiction issues defined therein. Any holder of this document is advised that information contained hereon reflects the Company's findings at the time of its intervention only and within the limits of Client's instructions, if any. The Company's sole responsibility is to its Client and this document does not exonerate parties to a transaction from exercising all their rights and obligations under the transaction documents. This document cannot be produced except in full, without prior written approval of the Company. Any unauthorized alteration, forgery or falsification of the content or appearance of this document is unlawful and offenders may be prosecuted to the fullest extent of the law.

Compliance (Summary) Report

Report No.: GZES120800784301

Date: 2012-11-07

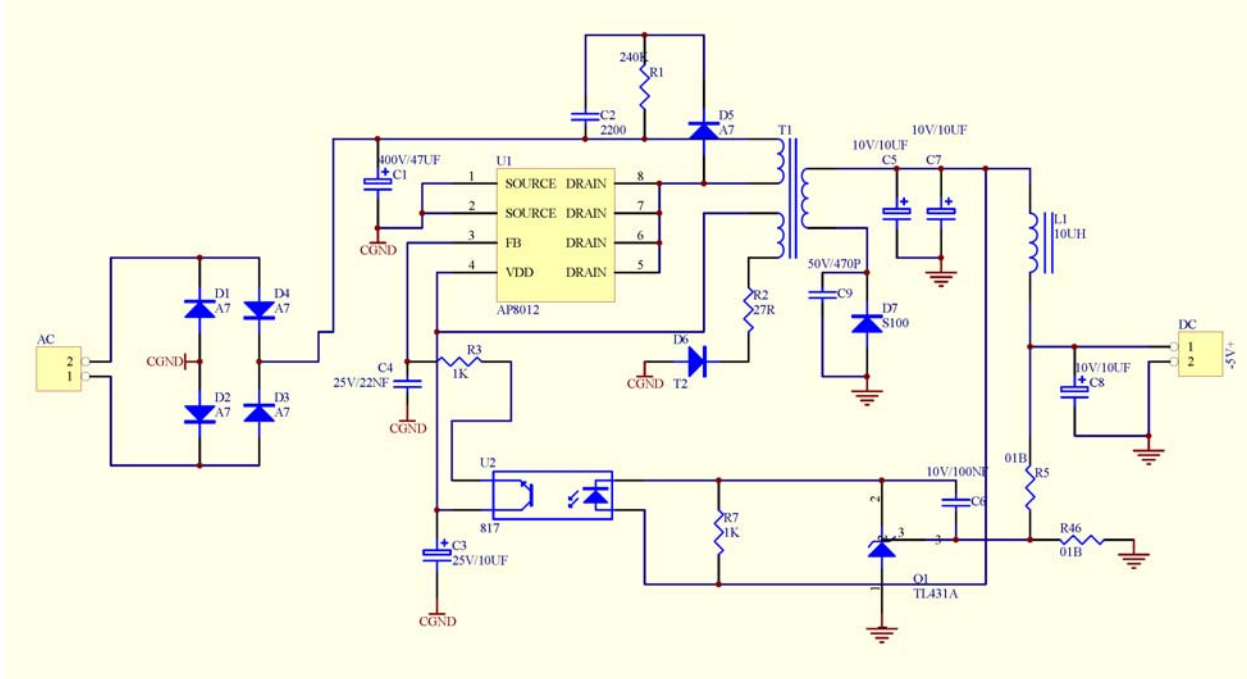
Control circuit diagram



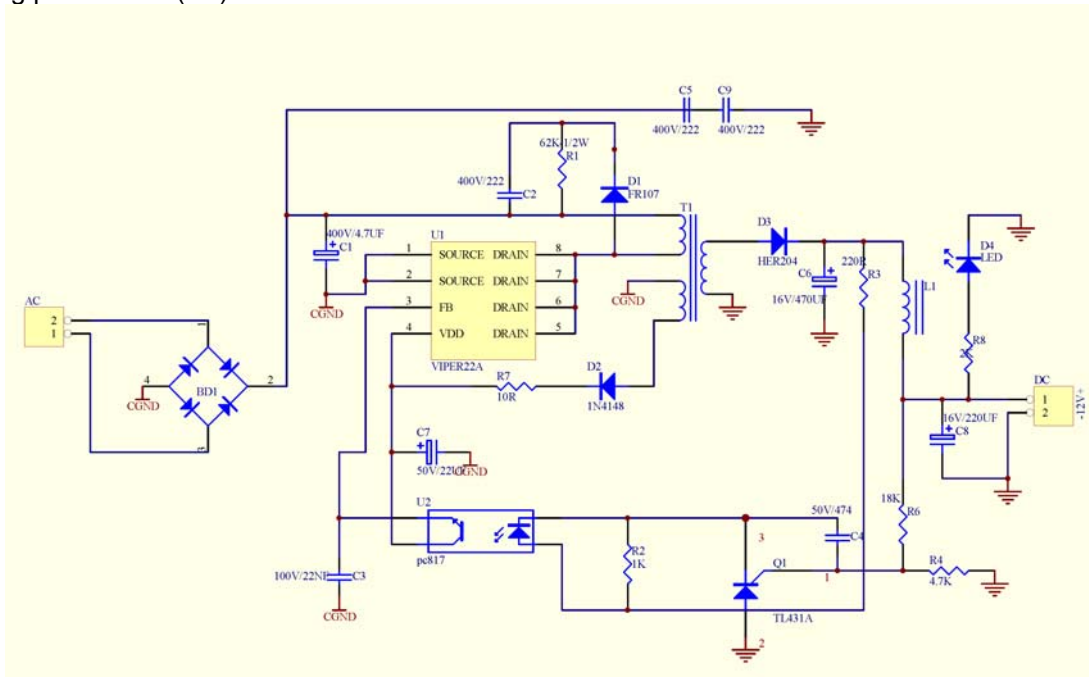
SteticSense	Date: 03/08/2012	Revision: Ver2.0
Project	Cavitation Unit HMCV-ST5040K50W-X-M12	
Title: 40KCONTROLPCB	Sheet of: 1/4	

This document is issued by the Company subject to its General Conditions of Service printed overleaf, available on request or accessible at www.sgs.com/terms_and_conditions.htm and, for electronic format documents, subject to Terms and Conditions for Electronic Documents at www.sgs.com/terms_e-document.htm. Attention is drawn to the limitation of liability, indemnification and jurisdiction issues defined therein. Any holder of this document is advised that information contained herein reflects the Company's findings at the time of its intervention only and within the limits of Client's instructions, if any. The Company's sole responsibility is to its Client and this document does not exonerate parties to a transaction from exercising all their rights and obligations under the transaction documents. This document cannot be produced except in full, without prior written approval of the Company. Any unauthorized alteration, forgery or falsification of the content or appearance of this document is unlawful and offenders may be prosecuted to the fullest extent of the law.

Switching power PCB (D1)



Switching power PCB (D2)



--- End of Report ---

This document is issued by the Company subject to its General Conditions of Service printed overleaf, available on request or accessible at www.sgs.com/terms_and_conditions.htm and, for electronic format documents, subject to Terms and Conditions for Electronic Documents at www.sgs.com/terms_e-document.htm. Attention is drawn to the limitation of liability, indemnification and jurisdiction issues defined therein. Any holder of this document is advised that information contained hereon reflects the Company's findings at the time of its intervention only and within the limits of Client's instructions, if any. The Company's sole responsibility is to its Client and this document does not exonerate parties to a transaction from exercising all their rights and obligations under the transaction documents. This document cannot be produced except in full, without prior written approval of the Company. Any unauthorized alteration, forgery or falsification of the content or appearance of this document is unlawful and offenders may be prosecuted to the fullest extent of the law.

SGS-CSTC Standards Technical Services Co., Ltd. - E&E Lab Guangzhou

198 Kezhu Road, Sciencetech Park, Guangzhou Economic & Technology Development District, Guangzhou, Guangdong, China 510663

Tel.: +86 20 8215 5555 Fax: +86 20 8207 5058