



TEST REPORT COMMISSION REGULATION (EC) No 1275/2008 implementing Directive 2009/125/EC of the European Parliament and of the Council with regard to ecodesign requirements for standby and off mode electric power consumption of electrical and electronic household and office equipment	
Report Reference No.	GZES130200104731
Tested by (name + signature)	Kyle Zhang 
Approved by (+ signature)	Nick Cui 
Date of issue	2013-06-04
Total number of pages	9
Testing Laboratory	SGS-CSTC Standards Technical Services Co., Ltd. - E&E Lab Guangzhou
Address	198 Kezhu Road, Sciencetech Park, Guangzhou Economic & Technology Development District, Guangzhou, Guangdong, China 510663
Applicant's name	HoMedics Group Ltd
Address	HoMedics House, Somerhill Business Park, Five Oak Green Road, Tonbridge, Kent TN11 0GP England
Test specification:	
Test procedure	STR: COMMISSION REGULATION (EC) No 1275/2008
Non-standard test method	None
Test Report Form No.	1275/2008/EC_F
Test Report Form(s) Originator	SGS-CSTC
Master TRF	2012-07-13
Copyright © 2009 SGS-CSTC Standards Technical Services Co., Ltd. (SGS-CSTC), Shenzhen, P.R. China. All rights reserved. This publication may be produced in whole or in part for non-commercial purposes as long as SGS-CSTC is acknowledged as copyright owner and source of the material. SGS-CSTC takes no responsibility for and will not assume liability for damages resulting from the reader's interpretation of the reproduced material due to its placement and context	



Test item description.....:	Champneys Footspa
Model/Type reference	CH-FS110-GB, ELM-FS100-GB, ELMFS-150-EU, 1471090
Ratings.....:	220 – 240 V, 50 / 60 Hz, Class II CH-FS110-GB, 1471090: 35 W ELM-FS100-GB, ELMFS-150-EU: 33 W
Manufacturing site (factory).....:	Zhang Zhou Easepal Industry Co., Ltd. 228 Jiaosong Road, Taiwan Investment Zone, Zhangzhou, Fujian, China

Test item particulars:	
Classification of installation and use	Portable appliance
Supply Connection.....:	Non-detachable power cord fitted with plug
Availability of Standby mode.....:	Yes
Availability of off mode.....:	No
Availability of display function in standby-mode.....:	No
Availability of any condition which does not exceed the applicable power consumption requirements for off mode and/or standby mode when the equipment is connected to the mains power source.....:	No
Availability of power management function.....:	No

Summary of testing:
<p>Tests performed:</p> <p>The sample(s) tested complies with the requirements of COMMISSION REGULATION (EC) No 1275/2008.</p> <p>These tests fulfil the requirements of standard ISO/IEC 17025.</p> <p>When determining the test conclusion, the Measurement Uncertainty of test has been considered.</p> <p>The maximum permitted uncertainty of measurement depends on the size of the load and the characteristics of the load. The key characteristic of the load used to determine the maximum permitted uncertainty is the Maximum Current Ratio (MCR), which is calculated as follows:</p> $\text{Maximum Current Ratio (MCR)} = \frac{\text{Crest Factor (CF)}}{\text{Power Factor (PF)}}$ <p>where</p> <ul style="list-style-type: none"> the Crest Factor (CF) is the measured peak current drawn by the product divided by the measured r.m.s. current drawn by the product; the Power Factor (PF) is a characteristic of the power consumed by the product. It is the ratio of the measured real power to the measured apparent power. <p>a) <u>Permitted uncertainty for values of MCR ≤10</u></p> <p>For measured power values of greater than or equal to 1,0 W, the maximum permitted relative uncertainty introduced by the power measurement equipment, U_{mr}, shall be equal to or less than 2 % of the measured power value at the 95 % confidence level.</p>

For measured power values of less than 1,0 W, the maximum permitted absolute uncertainty introduced by the power measurement equipment, U_{ma} , shall be equal to or less than 0,02 W at the 95 % confidence level.

b) Permitted uncertainty for values of MCR >10

The value of U_{pc} shall be determined using the following equation:

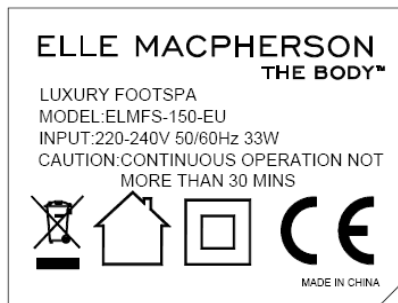
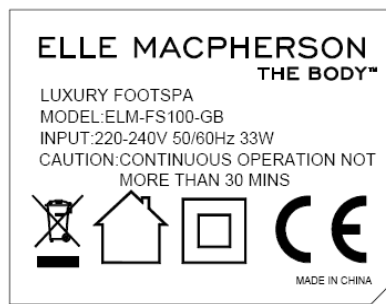
$$U_{pc} = 0,02 \times [1 + (0,08 \times \{MCR - 10\})]$$

where U_{pc} is the maximum permitted relative uncertainty for cases where the MCR is > 10.

For measured power values of greater than or equal to 1,0 W, the maximum permitted relative uncertainty introduced by the power measurement equipment shall be equal to or less than U_{pc} at the 95 % confidence level.

For measured power values of less than 1,0 W, the permitted absolute uncertainty shall be the greater of U_{ma} (0,02 W) or U_{pc} when expressed as an absolute uncertainty in W ($U_{pc} \cdot$ measured value) at the 95 % confidence level.

Copy of marking plate



Remark: the above marking plate is only a draft artwork to show the product ratings and model No.

<p>Possible test case verdicts:</p> <ul style="list-style-type: none"> - test case does not apply to the test object.....: N (or N/A) - test object does meet the requirement.....: P (Pass) - test object does not meet the requirement.....: F (Fail)
<p>Testing</p> <p>Date of receipt of test item: 2013-02-19</p> <p>Date (s) of performance of tests: 2013-02-19 to 2013-05-28</p>
<p>General remarks:</p> <p>The test results presented in this report relate only to the object tested. This report shall not be reproduced, except in full, without the written approval of the Issuing testing laboratory. "(see Enclosure #)" refers to additional information appended to the report. "(see appended table)" refers to a table appended to the report.</p> <p>Throughout this report a comma is used as the decimal separator.</p> <p>This document is issued by the Company subject to its General Conditions of Service, available on request or accessible at www.sgs.com/terms_and_conditions.htm and, for electronic format documents, subject to Terms and Conditions for Electronic Documents at www.sgs.com/terms_e-document.htm. Attention is drawn to the limitation of liability, indemnification and jurisdiction issues defined therein. Any holder of this document is advised that information contained hereon reflects the Company's findings at the time of its intervention only and within the limits of Client's instructions, if any. The Company's sole responsibility is to its Client and this document does not exonerate parties to a transaction from exercising all their rights and obligations under the transaction documents. This document cannot be produced except in full, without prior written approval of the Company. Any unauthorized alteration, forgery or falsification of the content or appearance of this document is unlawful and offenders may be prosecuted to the fullest extent of the law.</p>
<p>General product information: Champneys Footspa for household and indoor use only.</p> <p>The model CH-FS110-GB and ELM-FS100-GB are identical except appearance and function are different. CH-FS110-GB has Infrared heating function and ELM-FS100-GB no Infrared heating function. The model ELM-FS100-GB and ELMFS-150-EU are identical except power plug is different. ELM-FS-100-GB use BS plug, ELMFS-150-EU uses EU plug. The model CH-FS110-GB and 1471090 are identical except model number is different. PO No.: PC0001249</p>

source not found.

COMMISSION REGULATION (EC) No 1275/2008 ANNEX II Ecodesign requirements			
Cl.	Requirement-Test	Result-Remark	Verdict
1 & 2	Power consumption in 'off mode'		--
1(a) & 2(a)	Power consumption of equipment in any off-mode condition		N/A
1(b) & 2(b)	Power consumption in 'standby mode(s)'		--
	The power consumption of equipment in any condition providing only a reactivation function, or providing only a reactivation function and a mere indication of enabled reactivation function	See appended table 2	P
	The power consumption of equipment in any condition providing only information or status display, or providing only a combination of reactivation function and information or status display		N/A
1(c) & 2(c)	Availability of off mode and/or standby mode		--
	Equipment shall, except where this is inappropriate for the intended use, provide off mode and/or standby mode, and/or another condition which does not exceed the applicable power consumption requirements for off mode and/or standby mode when the equipment is connected to the mains power source		N/A
2(d)	Power management (this requirement is only applicable after this Regulation has come into force for four years)		--
	When equipment is not providing the main function, or when other energy-using product(s) are not dependent on its functions, equipment shall, unless inappropriate for the intended use, offer a power management function, or a similar function, that switches equipment after the shortest possible period of time appropriate for the intended use of the equipment, automatically into:		--
	<ul style="list-style-type: none"> — standby mode, or — off mode, or — Another condition which does not exceed the applicable power consumption requirements for off mode and/or standby mode when the equipment is connected to the mains power source. The power management function shall be activated before delivery 		N/A

source not found.

Table 1	Test parameters for measurements	
The measurement method used.....:	EN 50564:2011	
Test ambient temperature (°C).....:	23°C	
Test voltage in V and frequency in Hz.....:	230 V , 50 Hz	
Total harmonic distortion (THD) of the electricity supply system.....:	0,02%	
Power consumption was determined by.....:	Average reading method	
Description of how the appliance mode was selected or programmed.....:	By power switch	
Sequence of events to reach the mode where the equipment automatically changes modes.....:	N/A	
Other notes regarding the operation of the equipment.....:	N/A	

Set-up and circuits used for electrical testing:

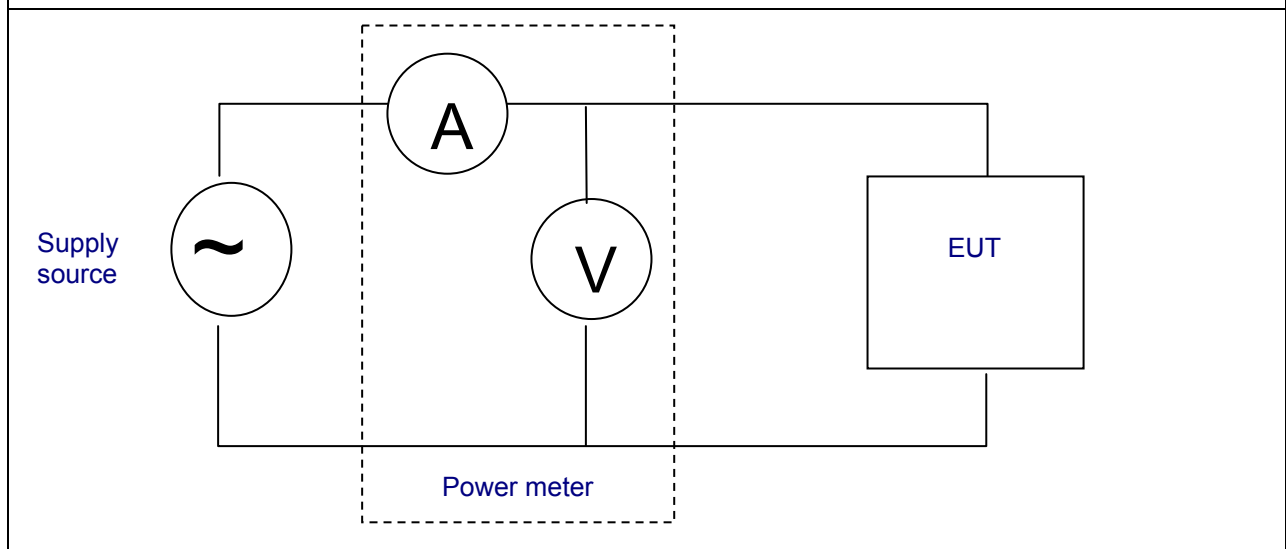




Table 2	Test result		P	
Operating mode(s)	Measured (W)	Limit (W)		
		Stage 1	Stage 2	
Off-mode condition.....:	—	—	0,5	
Any condition which does not exceed the applicable power consumption requirements for off mode when the equipment is connected to the mains power source.....:	0,3	—	0,5	
Power consumption in 'standby mode(s)' in				

source not found.

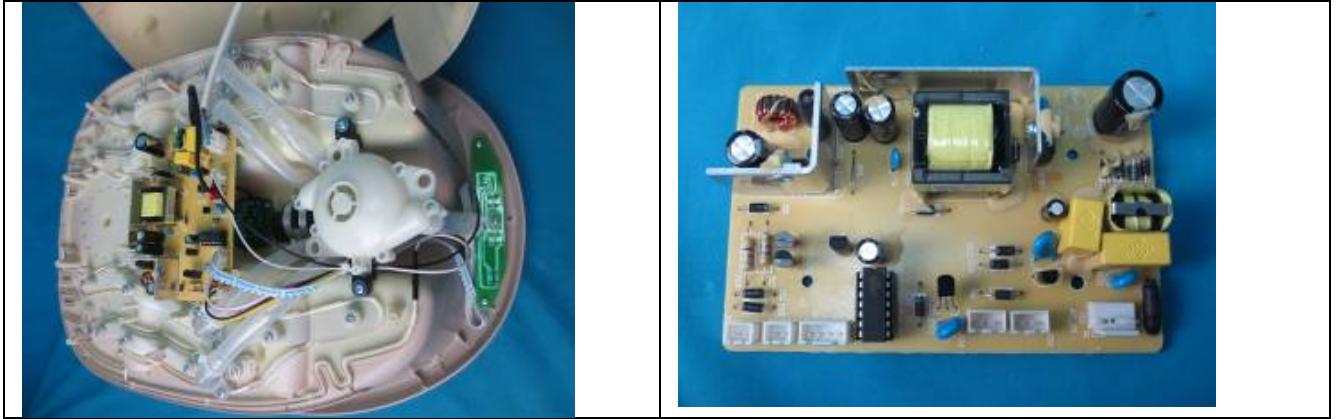
Operating mode(s)	Measured (W)	Limit (W)	
		Stage 1	Stage 2
Any condition providing only a reactivation function, or providing only a reactivation function and a mere indication of enabled reactivation function.....:	—	—	0,5
Any condition providing only information or status display, or providing only a combination of reactivation function and information or status display.....:	—	—	1
Any condition which does not exceed the applicable power consumption requirements for standby mode when the equipment is connected to the mains power source.....:	—	—	—
Result:	The EUT complies with the ecodesign requirements Stage 2 of Annex II of COMMISSION REGULATION (EC) No 1275/2008		

Table 3		Test instruments		
Name	Brand	Model	Last cal. date	Next cal. date
Digital Power Meter	Yokogawa	WT210	2012-8-14	2013-8-13

Photo documents:

<p>Products General CH-FS110-GB, 1471090</p> 	<p>Control panel CH-FS110-GB, 1471090</p> 
<p>Inside view CH-FS110-GB, 1471090</p>	<p>Switching power PCB CH-FS110-GB, 1471090</p>

source not found.



source not found.

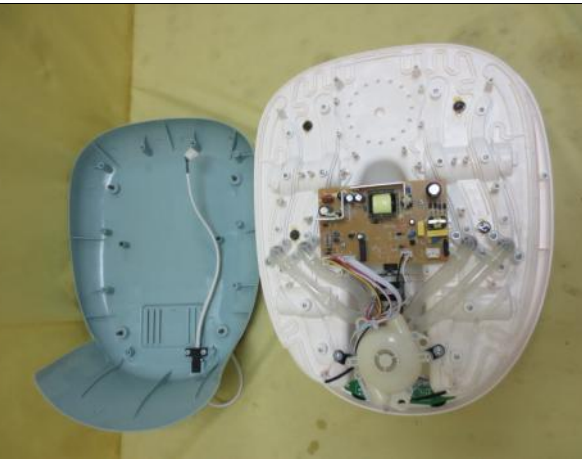
Products General ELM-FS100-GB, ELMFS-150-EU



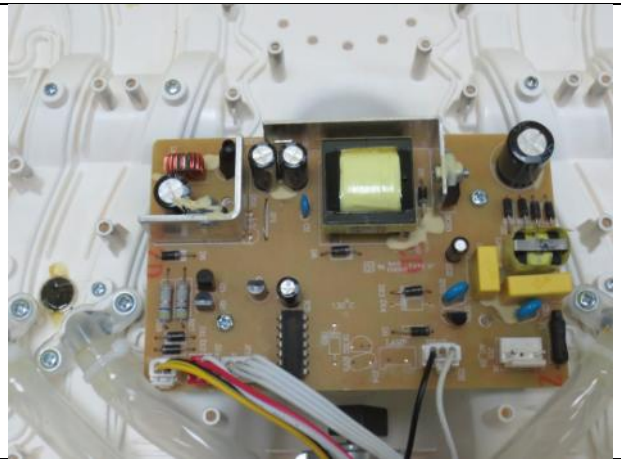
Control panel ELM-FS100-GB, ELMFS-150-EU



Inside view ELM-FS100-GB, ELMFS-150-EU



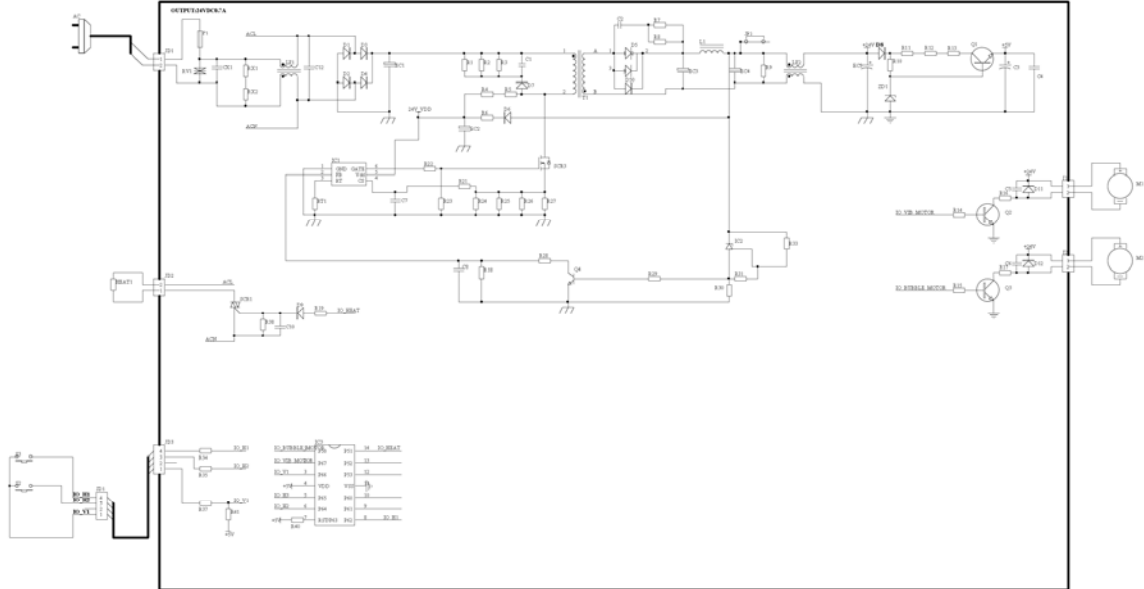
Switching power PCB ELM-FS100-GB, ELMFS-150-EU



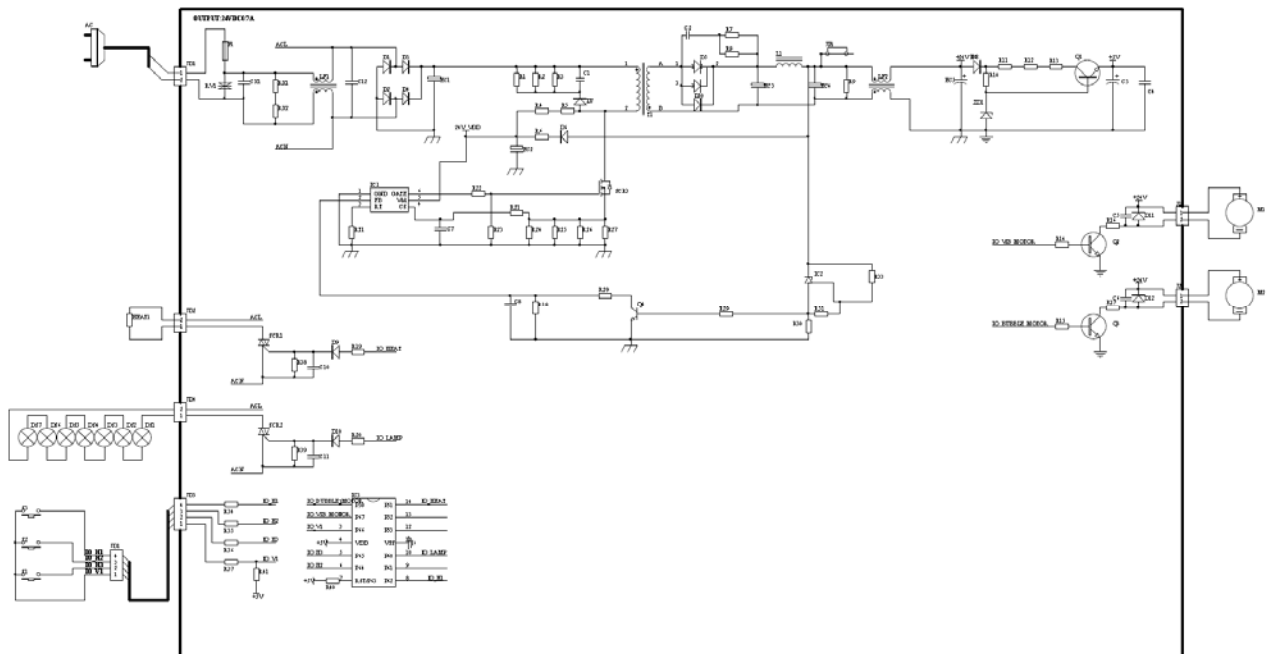
source not found.

Circuit diagram documents:

Model: ELM-FS100-GB, ELMFS-150-EU



Model: CH-FS110-GB, 1471090



--- End of Report ---