

Compliance (Summary) Report

Report No.: GZES110600345302


Date: 2012-07-31

Applicant: HoMedics Group Ltd.
HoMedics House, Somerhill Business Park, Five Oak Green Road, Tonbridge, Kent
TN11 0GP England

Testing location/address: SGS-CSTC Standards Technical Services Co., Ltd. - E&E Lab Guangzhou
198 Kezhu Road, Sciencetech Park, Guangzhou Economic & Technology Development
District, Guangzhou, Guangdong, China 510663

The standards: BS EN / EN 60335-1: 2002 + A11: 2004 + A1: 2004 + A12: 2006 + A2: 2006 + A13:
2008 + A14 : 2010
BS EN / EN 60335-2-32: 2003 + A1: 2008
BS EN / EN 62233: 2008

Test item description: Shiatsu Foot Massager

Trade Mark: 

Test object / Model : FM-TS9-EU, FM-TS9-GB

Ratings: 220 - 240 V; 50 / 60 Hz; 35W Class II

Test result : In the opinion of SGS-CSTC the presented appliance was found to be in compliance
with the test specification as indicated in the details on the following pages.

Remark: PO No.: PC0001082
This test report is not valid without the test report of GZES110600345301



Gabriel Qian
Reviewer
E&E Safety Laboratory



Sunny Liang
Project Engineer

Compliance (Summary) Report

Report No.: GZES110600345302

Date: 2012-07-31

Copy of marking plate



Summary of testing:

Tests according to the following standards were carried out :

BS EN / EN 60335-1: 2002 + A11: 2004 + A1: 2004 + A12: 2006 + A2: 2006 + A13: 2008 + A14: 2010

BS EN / EN 60335-2-32: 2003 + A1: 2008

BS EN / EN 62233: 2008

The model FM-TS9-EU was subjected to clause 10, 19.11, 29 and construction check.

The submitted samples fulfil the requirements of above standards.

Test item particulars	—
Classification of installation and use.....	Portable appliance
Supply connection.....	Non-detachable power cord fitted with a plug
Operating condition.....	Continuously

Possible test case verdicts:

- test case does not apply to the test object..... : N/A
- test object does meet the requirement : P (Pass)
- test object does not meet the requirement : F (Fail)

Testing

Date of receipt of test item.....	2012-07-23
Date (s) of performance of tests.....	2011-07-23 to 2011-07-31

General product information:

Shiatsu Foot Massager for household and indoor use only.
 FM-TS9-EU is identical to FM-TS9-GB except FM-TS9-EU fitted with EU plug, FM-TS9-GB fitted with BS plug.

Amendment 1

This report based on the SGS test report GZES110600345301, dated 2011-07-15 was modified on 2012-07-31 to include the following changes, which were considered technical modifications.

1. add an alternative power supply PCB, for more details refer to annex 2 photos document.

This document is issued by the Company subject to its General Conditions of Service printed overleaf, available on request or accessible at www.sgs.com/terms_and_conditions.htm and, for electronic format documents, subject to Terms and Conditions for Electronic Documents at www.sgs.com/terms_e-document.htm. Attention is drawn to the limitation of liability, indemnification and jurisdiction issues defined therein. Any holder of this document is advised that information contained hereon reflects the Company's findings at the time of its intervention only and within the limits of Client's instructions, if any. The Company's sole responsibility is to its Client and this document does not exonerate parties to a transaction from exercising all their rights and obligations under the transaction documents. This document cannot be produced except in full, without prior written approval of the Company. Any unauthorized alteration, forgery or falsification of the content or appearance of this document is unlawful and offenders may be prosecuted to the fullest extent of the law.

Compliance (Summary) Report

Report No.: GZES110600345302

Date: 2012-07-31

BS EN / EN 60335-1 and BS EN / EN 60335-2-32		
Clause	Remarks	Verdict
10. Power input and current	(see appended table)	P
19. Abnormal operation	Only 19.11 was executed	P
29. Clearances, creepage distances and solid insulation	(see appended table)	P

This document is issued by the Company subject to its General Conditions of Service printed overleaf, available on request or accessible at www.sgs.com/terms_and_conditions.htm and, for electronic format documents, subject to Terms and Conditions for Electronic Documents at www.sgs.com/terms_e-document.htm. Attention is drawn to the limitation of liability, indemnification and jurisdiction issues defined therein. Any holder of this document is advised that information contained hereon reflects the Company's findings at the time of its intervention only and within the limits of Client's instructions, if any. The Company's sole responsibility is to its Client and this document does not exonerate parties to a transaction from exercising all their rights and obligations under the transaction documents. This document cannot be produced except in full, without prior written approval of the Company. Any unauthorized alteration, forgery or falsification of the content or appearance of this document is unlawful and offenders may be prosecuted to the fullest extent of the law.

Compliance (Summary) Report

Report No.: GZES110600345302

Date: 2012-07-31

ANNEX 1: Data Table

10.1	TABLE: Power input deviation					P
Input deviation of/at:	P rated (W)	P measured (W)	dP	Required dP	Remark	
230 V 50 Hz	35	27,5	-21,4%	+20%	—	
230 V 60 Hz	35	26,8	-23,4%	+20%	—	

29.1	TABLE: Clearances						P
	Overvoltage category:	II				—	
		Type of insulation:					
Rated impulse voltage (V):	Min. cl (mm)	Basic	Functional	Supplementary	Reinforced	Verdict / Remark	
2 500	1,5**	d)2,3 mm	a)3,8 mm	c)7,5 mm	—	P/ a) Between L/N on switch power PCB d) Between motor winding and shaft c) Between internal wire and plastic enclosure	
4 000	3,0**	—	—	—	b)7,0 mm	P/ b) Between live part and accessible part	
*) The value is increased to 0,8 mm for pollution degree 3							
**) If the construction is affected by wear, distortion, movement of the parts or during assembly, the value is increased by 0,5 mm							

29.2	TABLE: Creepage distances, basic, supplementary and reinforced insulation										P	
Working voltage (V)	Creepage distance (mm)								Type of insulation (mm)			—
	Pollution degree											
	1	2			3			B*) S*) R*)			Verdict	
		Material group			Material group							
		I	II	IIIa/IIIb	I	II	IIIa/IIIb					
>125 and ≤250	0,6	1,3	1,8	2,5	3,2	3,6	4,0 2,0	2,3	—	—	P / d)	
>125 and ≤250	0,6	1,3	1,8	2,5	3,2	3,6	4,0	—	9,0	—	P / c)	
>125 and ≤250	1,2	2,6	3,6	5,0	6,4	7,2	8,0	—	—	8,4	P / b)	

This document is issued by the Company subject to its General Conditions of Service printed overleaf, available on request or accessible at www.sgs.com/terms_and_conditions.htm and, for electronic format documents, subject to Terms and Conditions for Electronic Documents at www.sgs.com/terms_e-document.htm. Attention is drawn to the limitation of liability, indemnification and jurisdiction issues defined therein. Any holder of this document is advised that information contained hereon reflects the Company's findings at the time of its intervention only and within the limits of Client's instructions, if any. The Company's sole responsibility is to its Client and this document does not exonerate parties to a transaction from exercising all their rights and obligations under the transaction documents. This document cannot be produced except in full, without prior written approval of the Company. Any unauthorized alteration, forgery or falsification of the content or appearance of this document is unlawful and offenders may be prosecuted to the fullest extent of the law.

Compliance (Summary) Report

Report No.: GZES110600345302

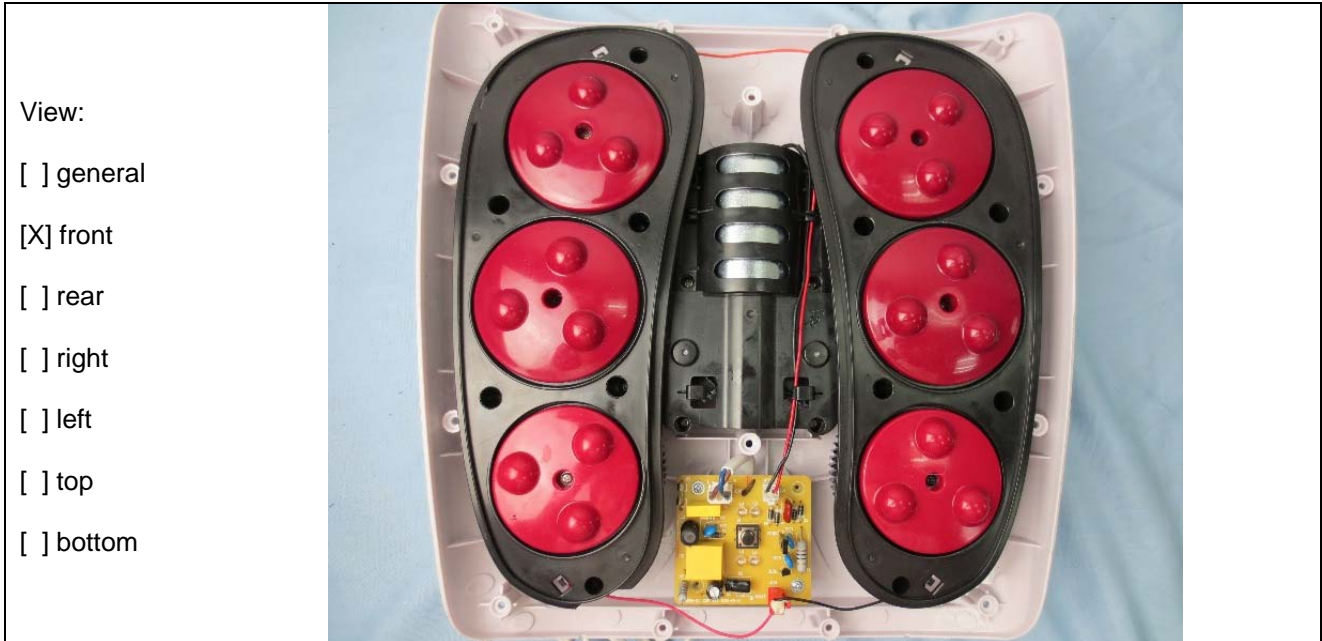
Date: 2012-07-31

*) , B=Basic, S=Supplementary and R=Reinforced

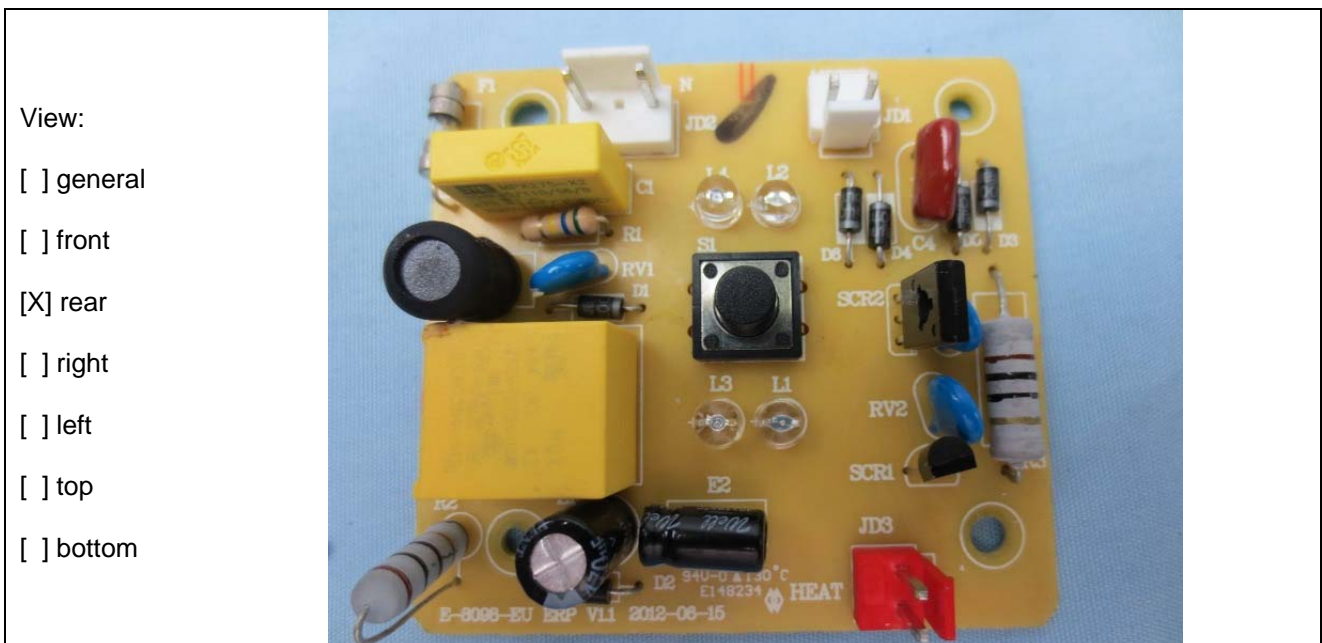
29.2	TABLE: Creepage distances, functional insulation							P
Working voltage (V)	Creepage distance (mm) Pollution degree							Verdict / Remark
	1	2			3			
	Material group			Material group				
	I	II	IIIa/IIIb	I	II	IIIa/IIIb		
>125 and ≤250	0,4	1,0	1,4	2,0	2,5	2,8	3,2	P / a) 3,8 mm

ANNEX 2: Photo documentation

Details of: Internal view



Details of: Alternative power PCB



This document is issued by the Company subject to its General Conditions of Service printed overleaf, available on request or accessible at www.sgs.com/terms_and_conditions.htm and, for electronic format documents, subject to Terms and Conditions for Electronic Documents at www.sgs.com/terms_e-document.htm. Attention is drawn to the limitation of liability, indemnification and jurisdiction issues defined therein. Any holder of this document is advised that information contained hereon reflects the Company's findings at the time of its intervention only and within the limits of Client's instructions, if any. The Company's sole responsibility is to its Client and this document does not exonerate parties to a transaction from exercising all their rights and obligations under the transaction documents. This document cannot be produced except in full, without prior written approval of the Company. Any unauthorized alteration, forgery or falsification of the content or appearance of this document is unlawful and offenders may be prosecuted to the fullest extent of the law.

Compliance (Summary) Report

Report No.: GZES110600345302

Date: 2012-07-31

Details of: Alternative power PCB

View:

general

front

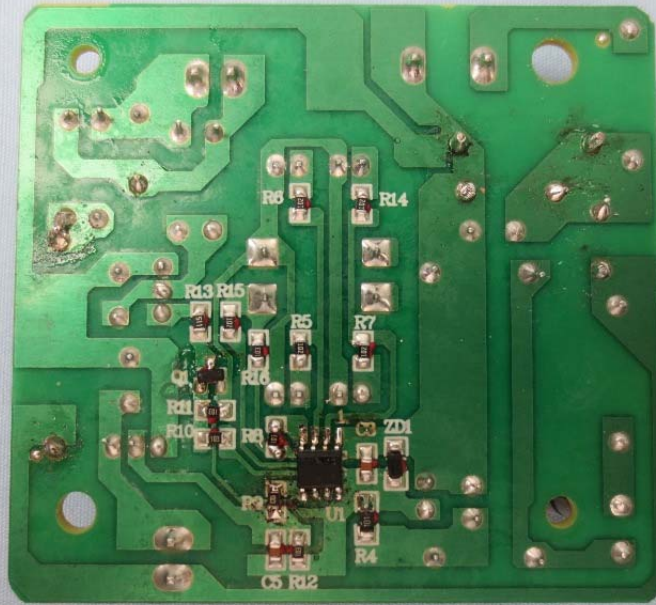
rear

right

left

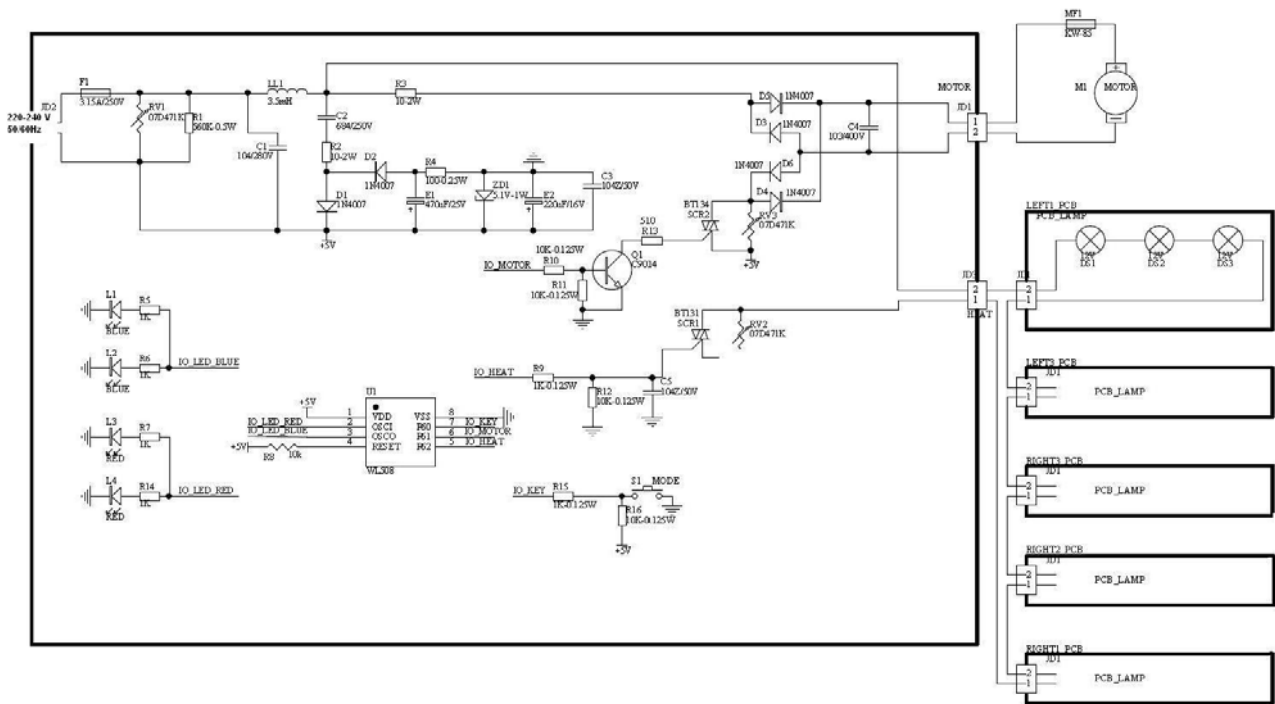
top

bottom



This document is issued by the Company subject to its General Conditions of Service printed overleaf, available on request or accessible at www.sgs.com/terms_and_conditions.htm and, for electronic format documents, subject to Terms and Conditions for Electronic Documents at www.sgs.com/terms_e-document.htm. Attention is drawn to the limitation of liability, indemnification and jurisdiction issues defined therein. Any holder of this document is advised that information contained hereon reflects the Company's findings at the time of its intervention only and within the limits of Client's instructions, if any. The Company's sole responsibility is to its Client and this document does not exonerate parties to a transaction from exercising all their rights and obligations under the transaction documents. This document cannot be produced except in full, without prior written approval of the Company. Any unauthorized alteration, forgery or falsification of the content or appearance of this document is unlawful and offenders may be prosecuted to the fullest extent of the law.

ANNEX 3: Circuit diagram



--- End of Report ---