



<b>TEST REPORT</b> <b>IEC 60335-2-32</b> <b>Safety of household and similar electrical appliances</b> <b>Part 2: Particular requirements for massage appliance</b>	
Report Reference No. ....:	GZES120200117903
Date of issue .....	2012-07-11
CB Testing Laboratory .....	SGS-CSTC Standards Technical Services Co., Ltd. - E&E Lab Guangzhou
Address .....	198 Kezhu Road, Scientech Park, Guangzhou Economic & Technology Development District, Guangzhou, Guangdong, China 510663
Applicant's name .....	HoMedics Group Ltd
Address .....	HoMedics House, Somerhill Business Park, Five Oak Green Road, Tonbridge, Kent TN11 0GP England
<b>Test specification:</b>	
Standard .....	IEC 60335-2-32:2002 (Fourth edition) + A1 :2008 used in conjunction with IEC 60335-1:2001 (Fourth Edition) + A1 : 2004 + A2: 2006
Test procedure .....	SGS-CSTC
Non-standard test method.....	N/A
Test Report Form No. ....:	IEC60335_2_32E
Test Report Form(s) Originator .....	LCIE
Master TRF .....	Dated 2009-05
<b>Copyright © 2009 IEC System for Conformity Testing and Certification of Electrical Equipment (IECEE), Geneva, Switzerland. All rights reserved.</b>	
This publication may be reproduced in whole or in part for non-commercial purposes as long as the IECEE is acknowledged as copyright owner and source of the material. IECEE takes no responsibility for and will not assume liability for damages resulting from the reader's interpretation of the reproduced material due to its placement and context.	
If this Test Report Form is used by non-IECEE members, the IECEE/IEC logo and the reference to the CB Scheme procedure shall be removed.	
<b>This report is not valid as a CB Test Report unless signed by an approved CB Testing Laboratory and appended to a CB Test Certificate issued by an NCB in accordance with IECEE 02.</b>	
Test item description .....	<b>Massage chair (Shiatsu Gel Massage Cushion w/ Heat)</b>
Trade Mark .....	
Manufacturer .....	—
Model/Type reference .....	SGM-425H-EU, GSM-400H-GB
Ratings .....	220 V – 240 V; 50 Hz / 60 Hz; 35 W; Class II
Factory .....	—

Testing procedure and testing location:	
<input checked="" type="checkbox"/> <b>CB Testing Laboratory:</b> Testing location/ address .....:	SGS-CSTC Standards Technical Services Co., Ltd. - E&E Lab Guangzhou 198 Kezhu Road, Sciencetech Park, Guangzhou Economic & Technology Development District, Guangzhou, Guangdong, China 510663
<input type="checkbox"/> <b>Associated CB Laboratory:</b> Testing location/ address .....:	N/A
Tested by (name + signature) .....:	Byron Cui <i>Byron Cui</i>
Approved by (+ signature).....:	Nick Cui <i>Nick Cui</i>
<input type="checkbox"/> Testing procedure: TMP Tested by (name + signature) .....: Approved by (+ signature).....: Testing location/ address .....:	N/A
<input type="checkbox"/> Testing procedure: WMT Tested by (name + signature) .....: Witnessed by (+ signature) .....: Approved by (+ signature).....: Testing location/ address .....:	N/A
<input type="checkbox"/> Testing procedure: SMT Tested by (name + signature) .....: Approved by (+ signature).....: Supervised by (+ signature) .....: Testing location/ address .....:	N/A
<input type="checkbox"/> Testing procedure: RMT Tested by (name + signature) .....: Approved by (+ signature).....: Supervised by (+ signature) .....: Testing location/ address .....:	N/A



<p><b>Summary of testing:</b></p>	
<p><b>Tests performed (name of test and test clause):</b>            Tests according to the following standards were carried out:            BS EN / EN 60335-1: 2002 + A11: 2004 + A1: 2004 + A12: 2006 + A2: 2006 + A13: 2008 + A14: 2010 + A15: 2011            BS EN / EN 60335-2-32: 2003 + A1: 2008            BS EN / EN 62233: 2008</p> <p>After reviewed, no test was considered.</p> <p>The submitted samples fulfil the requirements of the standards.</p>	<p><b>Testing location:</b>            See page one</p>
<p><b>Summary of compliance with National Differences:</b></p> <p>—</p>	
<p><b>Copy of marking plate</b></p> <p>—</p>	

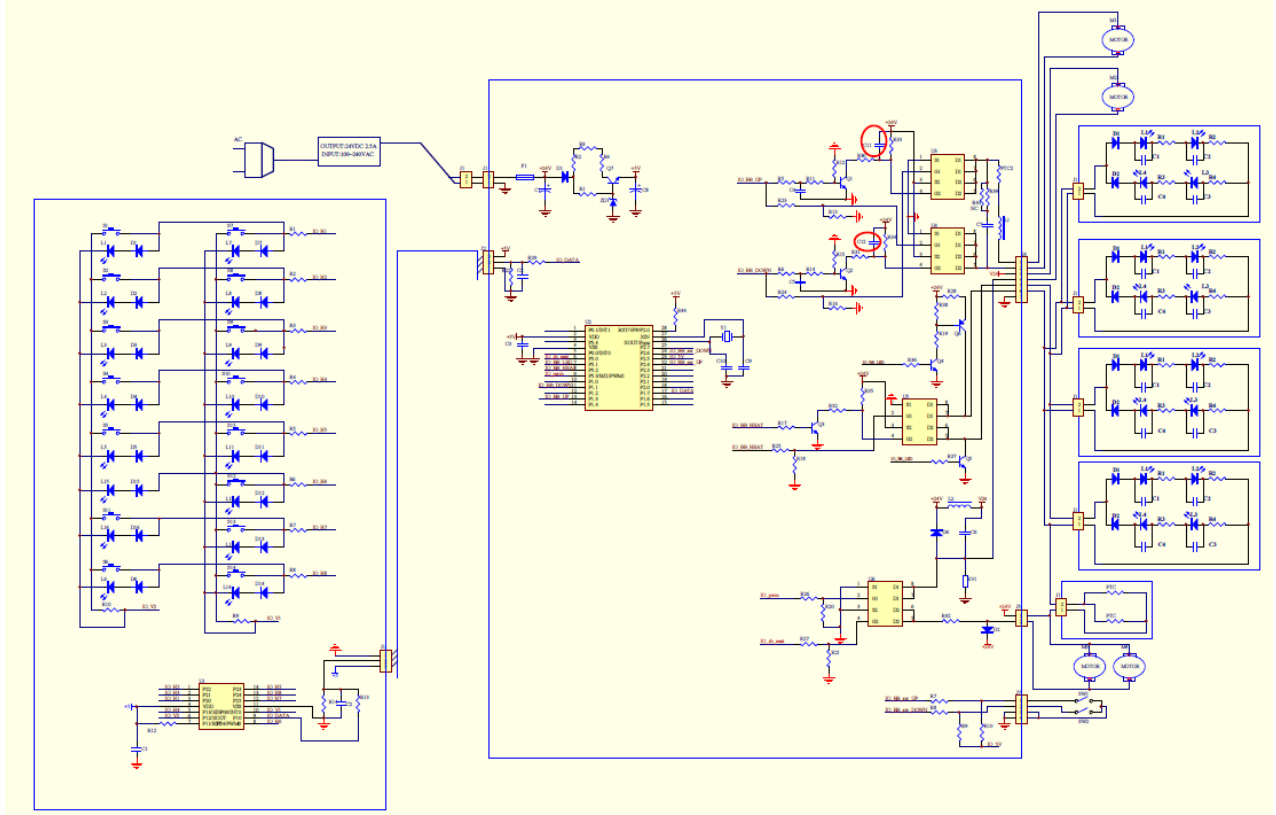
<b>Test item particulars</b> ..... : —
Classification of installation and use..... : Portable appliance
Supply Connection..... : Non-detachable power cord fitted with plug
<b>Possible test case verdicts:</b>
- test case does not apply to the test object..... : N/A
- test object does meet the requirement..... : P (Pass)
- test object does not meet the requirement..... : F (Fail)
<b>Testing</b> ..... :
Date of receipt of test item..... : 2012-07-09
Date (s) of performance of tests..... : 2012-07-09 to 2012-07-11
<b>General remarks:</b>
<p>The test results presented in this report relate only to the object tested.            This report shall not be reproduced, except in full, without the written approval of the Issuing testing laboratory.            "(see Enclosure #)" refers to additional information appended to the report.            "(see appended table)" refers to a table appended to the report.</p> <p>Throughout this report a comma is used as the decimal separator.</p> <p>This document is issued by the company under its General Conditions of Service accessible at <a href="http://www.sgs.com/terms_and_conditions.htm">http://www.sgs.com/terms_and_conditions.htm</a>. Attention is drawn to the limitation of liability, indemnification and jurisdiction issues defined therein.</p> <p>Any holder of this document is advised that information contained hereon reflects the Company's findings at the time of its intervention only and within the limits of Client's instructions, if any. The Company's sole responsibility is to its Client and this document does not exonerate parties to a transaction from exercising all their rights and obligations under the transaction documents. Any unauthorized alteration, forgery or falsification of the content or appearance of this document is unlawful and offenders may be prosecuted to the fullest extent of the law.</p> <p>Unless otherwise stated: (a) the results shown in this document refer only to the sample(s) tested and (b) such sample(s) are retained for 12 months. This document cannot be reproduced except in full, without prior approval of the company.</p> <p><b>Test report Ref. No. GZES120200117903, dated 2012-07-11 is not valid without test report GZES120200117902 and GZES120200117901.</b></p> <p><b>This test report includes the following additional documents to original TRF:</b></p> <p>Annex I: circuit diagram;            Annex II: Photo documentation.</p>
<b>General product information:</b>
<p>Shiatsu Gel Massage Cushion w/ Heat for household and indoor use only.            The model SGM-425H-EU and GSM-400H-GB are identical except SGM-425H-EU uses EU plug, GSM-400H-GB uses BS PLUG.            PO No.: PC0000959</p> <p><b>Amendment-1:</b></p> <p>The original Test Report Ref. No. GZES120200117901, Dated 2012-03-23 was modified on 2012-06-06 to include the following modifications:            1 Added shiatsu select speed function and Changed control function circuit diagram            More details see circuit diagram attachment and photo attachment            PO No.: PC0001037</p> <p><b>Amendment-2:</b></p> <p>The original Test Report Ref. No. GZES120200117902, Dated 2012-06-06 was modified on 2012-07-11 to include the following modifications:            1. Modification the main circuit diagram;            2. Modification the PCB layout.</p>

--End of this report--

## Annex I

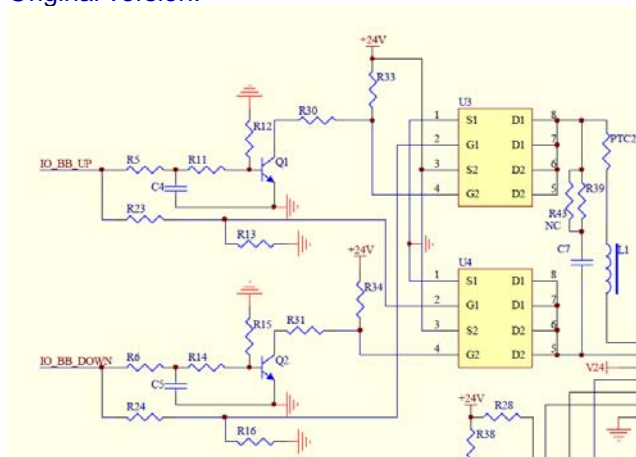
### Circuit diagram documentation

#### New main circuit diagram

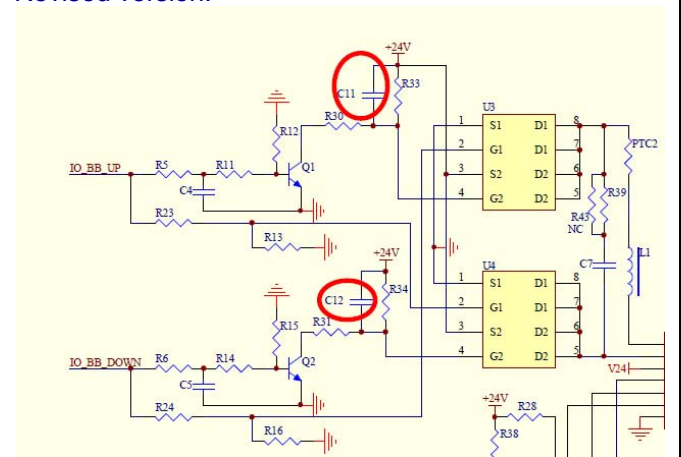


#### Different point

##### Original version:



##### Revised version:



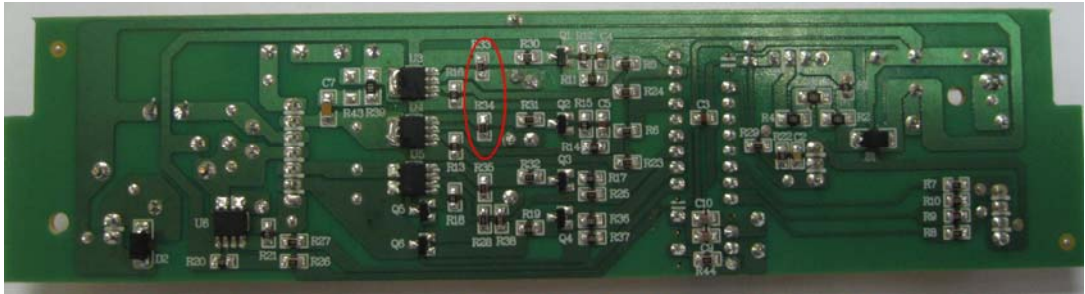
--End of this annex--

## Annex II Photo documentation

Details of: Original main PCB layout

View:

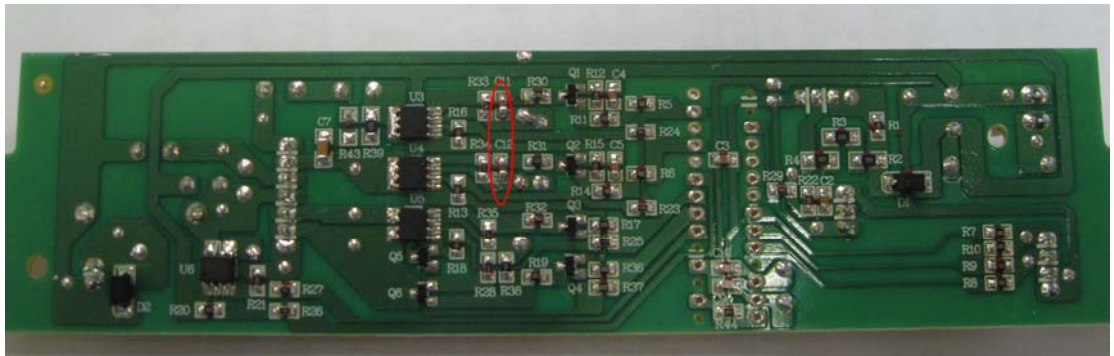
- general
- front
- rear
- right
- left
- top
- bottom



Details of: Revised main PCB layout

View:

- general
- front
- rear
- right
- left
- top
- bottom



--End of this annex--