





<b>TEST REPORT</b> <b>COMMISSION REGULATION (EC) No 1275/2008</b> <b>implementing Directive 2009/125/EC of the European Parliament and of the Council</b> <b>with regard to ecodesign requirements for standby and off mode electric power</b> <b>consumption of electrical and electronic household and office equipment</b>	
<b>Report Reference No.</b> .....:	GZES110600426031
<b>Tested by (name + signature)</b> .....	Kyle Zhang 
<b>Approved by (+ signature)</b> .....	Gabriel Qian 
<b>Date of issue</b> .....:	2011-08-12
<b>Total number of pages</b> .....	6
<b>Testing Laboratory</b> .....	SGS-CSTC Standards Technical Services Co., Ltd. - E&E Lab Guangzhou
<b>Address</b> .....:	198 Kezhu Road, Sciencetech Park, Guangzhou Economic & Technology Development District, Guangzhou, Guangdong, China 510663
<b>Applicant's name</b> .....:	HoMedics Group Ltd.
<b>Address</b> .....:	HoMedics House, Somerhill Business Park, Five Oak Green Road, Tonbridge, Kent TN11 0GP England
<b>Test specification:</b>	
<b>Test procedure</b> .....	STR: COMMISSION REGULATION (EC) No 1275/2008
<b>Non-standard test method</b> .....:	None
<b>Test Report Form No.</b> .....:	1275/2008/EC_D
<b>Test Report Form(s) Originator</b> .....	SGS-CSTC
<b>Master TRF</b> .....:	2010-08-10
Copyright @ 2009 SGS-CSTC Standards Technical Services Co., Ltd. (SGS-CSTC), Shenzhen, P.R. China. All rights reserved.  This publication may be produced in whole or in part for non-commercial purposes as long as SGS-CSTC is acknowledged as copyright owner and source of the material. SGS-CSTC takes no responsibility for and will not assume liability for damages resulting from the reader's interpretation of the reproduced material due to its placement and context	

<b>Test item description.....:</b>	Deluxe Shiatsu Massage Pillow
<b>Model/Type reference.....:</b>	SP-39H-EU, SP-39H-GB, SP-39HW-EU, SP-39HW-GB
<b>Ratings.....:</b>	12 V  , 12 W, Class III
<b>Manufacturing site (factory).....:</b>	—
<b>Test item particulars:</b>	
Classification of installation and use .....	Portable appliance
Supply Connection.....:	Powered by approved switching power supply
Availability of Standby mode.....:	Yes
Availability of off mode.....:	Yes
Availability of display function in standby-mode.....:	No
Availability of any condition which does not exceed the applicable power consumption requirements for off mode and/or standby mode when the equipment is connected to the mains power source.....:	Yes
Availability of power management function.....:	No
<b>Summary of testing:</b>	
<b>Tests performed:</b>	
The sample(s) tested complies with the requirements of COMMISSION REGULATION (EC) No 1275/2008.	
These tests fulfil the requirements of standard ISO/IEC 17025.	
When determining the test conclusion, the Measurement Uncertainty of test has been considered.	
Measurements of power of 0,50 W or greater was made with an uncertainty of less than or equal to 2 % at the 95 % confidence level.	
Measurements of power of less than 0,50 W was made with an uncertainty of less than or equal to 0,01 W at the 95 % confidence level.	
<b>Copy of marking plate</b>	
	
<p><i>Remark: the above marking plate is only a draft artwork to show the product ratings and model No.</i></p>	

<p><b>Possible test case verdicts:</b></p> <ul style="list-style-type: none"> <li>- test case does not apply to the test object .....: N (or N/A)</li> <li>- test object does meet the requirement .....: P (Pass)</li> <li>- test object does not meet the requirement.....: F (Fail)</li> </ul>
<p><b>Testing</b> .....</p> <p>Date of receipt of test item .....: 2011-07-01</p> <p>Date (s) of performance of tests .....: 2011-07-01 to 2011-08-12</p>
<p><b>General remarks:</b></p> <p>The test results presented in this report relate only to the object tested.          This report shall not be reproduced, except in full, without the written approval of the Issuing testing laboratory.          "(see Enclosure #)" refers to additional information appended to the report.          "(see appended table)" refers to a table appended to the report.</p> <p>Throughout this report a comma is used as the decimal separator.</p> <p>This document is issued by the Company subject to its General Conditions of Service, available on request or accessible at <a href="http://www.sgs.com/terms_and_conditions.htm">www.sgs.com/terms_and_conditions.htm</a> and, for electronic format documents, subject to Terms and Conditions for Electronic Documents at <a href="http://www.sgs.com/terms_e-document.htm">www.sgs.com/terms_e-document.htm</a>. Attention is drawn to the limitation of liability, indemnification and jurisdiction issues defined therein. Any holder of this document is advised that information contained hereon reflects the Company's findings at the time of its intervention only and within the limits of Client's instructions, if any. The Company's sole responsibility is to its Client and this document does not exonerate parties to a transaction from exercising all their rights and obligations under the transaction documents. This document cannot be produced except in full, without prior written approval of the Company. Any unauthorized alteration, forgery or falsification of the content or appearance of this document is unlawful and offenders may be prosecuted to the fullest extent of the law.</p>
<p><b>General product information:</b></p> <p>Deluxe Shiatsu Massage Pillow for indoor and household use only.          The models SP-39H-EU and SP-39H-GB are identical except SP-39H-EU uses switching power supply with EU plug, SP-39H-GB uses switching power supply with BS plug          The models SP-39HW-EU and SP-39HW-GB are identical except SP-39HW-EU uses switching power supply with EU plug, SP-39HW-GB uses switching power supply with BS plug</p> <p>The models SP-39H-EU and SP-39HW-EU are identical except SP-39HW-EU has two layer coats. SP-39HW-EU only one coat.</p>

COMMISSION REGULATION (EC) No 1275/2008			
ANNEX II Ecodesign requirements			
Cl.	Requirement-Test	Result-Remark	Verdict
1 & 2	Power consumption in 'off mode'		--
1(a) & 2(a)	Power consumption of equipment in any off-mode condition	See appended table 2	P
1(b) & 2(b)	Power consumption in 'standby mode(s)'		--
	The power consumption of equipment in any condition providing only a reactivation function, or providing only a reactivation function and a mere indication of enabled reactivation function		P
	The power consumption of equipment in any condition providing only information or status display, or providing only a combination of reactivation function and information or status display		N/A
1(c) & 2(c)	Availability of off mode and/or standby mode		--
	Equipment shall, except where this is inappropriate for the intended use, provide off mode and/or standby mode, and/or another condition which does not exceed the applicable power consumption requirements for off mode and/or standby mode when the equipment is connected to the mains power source		P
2(d)	Power management (this requirement is only applicable after this Regulation has come into force for four years )		--
	When equipment is not providing the main function, or when other energy-using product(s) are not dependent on its functions, equipment shall, unless inappropriate for the intended use, offer a power management function, or a similar function, that switches equipment after the shortest possible period of time appropriate for the intended use of the equipment, automatically into:		N/A
	<ul style="list-style-type: none"> <li>— standby mode, or</li> <li>— off mode, or</li> <li>— Another condition which does not exceed the applicable power consumption requirements for off mode and/or standby mode when the equipment is connected to the mains power source. The power management function shall be activated before delivery</li> </ul>		N/A

Table 1	Test parameters for measurements
The measurement method used.....:	IEC 62301:2005 1 <sup>st</sup> Edition
Test ambient temperature (°C).....:	23
Test voltage in V and frequency in Hz.....:	230 V, 50 Hz (powered by switching power supply)
Total harmonic distortion (THD) of the electricity supply system.....:	0,5 %
Description of how the appliance mode was selected or programmed.....:	Power switch
Sequence of events to reach the mode where the equipment automatically changes modes.....:	N/A
Other notes regarding the operation of the equipment...:	N/A

**Set-up and circuits used for electrical testing:**

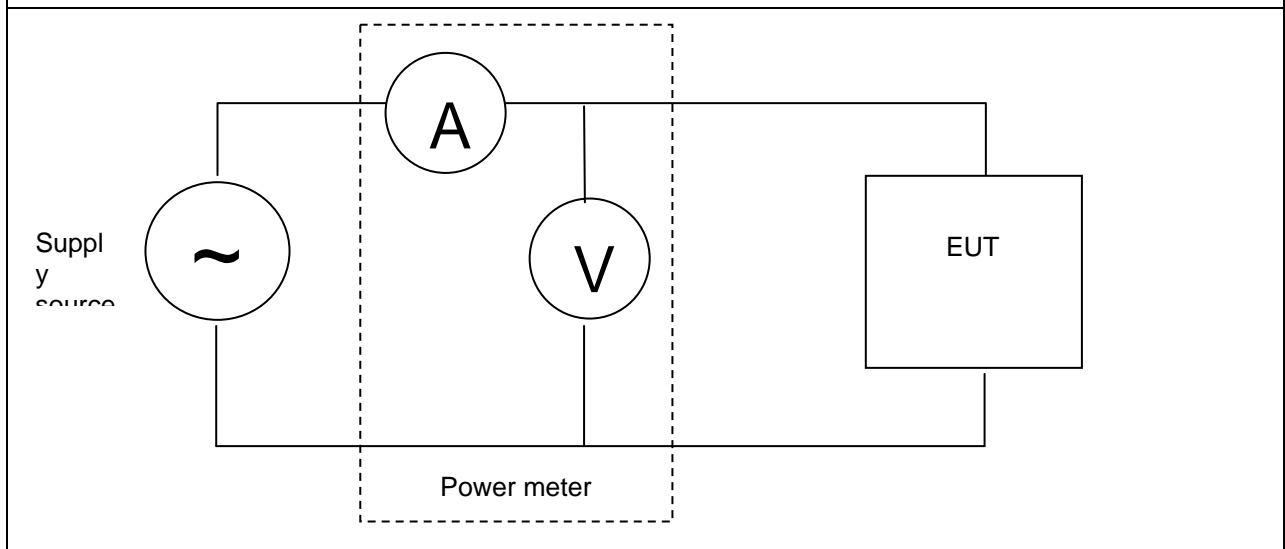


Table 2	Test result	P	
Operating mode(s)	Measured (W)	Limit (W)	
		Stage 1	Stage 2
Off-mode condition.....:			
Any condition which does not exceed the applicable power consumption requirements for off mode when the equipment is connected to the mains power source...:	0,19	1	0,5
Power consumption in 'standby mode(s)' in			
Any condition providing only a reactivation function or providing only a reactivation function and a mere indication of enabled reactivation function.....:	0,20	1	0,5
Any condition providing only information or status display, or providing only a combination of reactivation function and information or status display.....:	—	2	1

Operating mode(s)	Measured (W)	Limit (W)	
		Stage 1	Stage 2
Any condition which does not exceed the applicable power consumption requirements for standby mode when the equipment is connected to the mains power source.....:	—	—	—
Result:	The EUP complies with the ecodesign requirements <b>Stage 1 / Stage 2</b> of Annex II of COMMISSION REGULATION (EC) No 1275/2008		

Table 3		Test instruments		
Name	Brand	Model	Last cal. date	Next cal. date
Digital Power Meter	Yokogawa	WT200	2011-4-28	2012-4-28

### Photo documents:

Products General	Control panel
	
Switching power supply	
	

--- End of Report ---